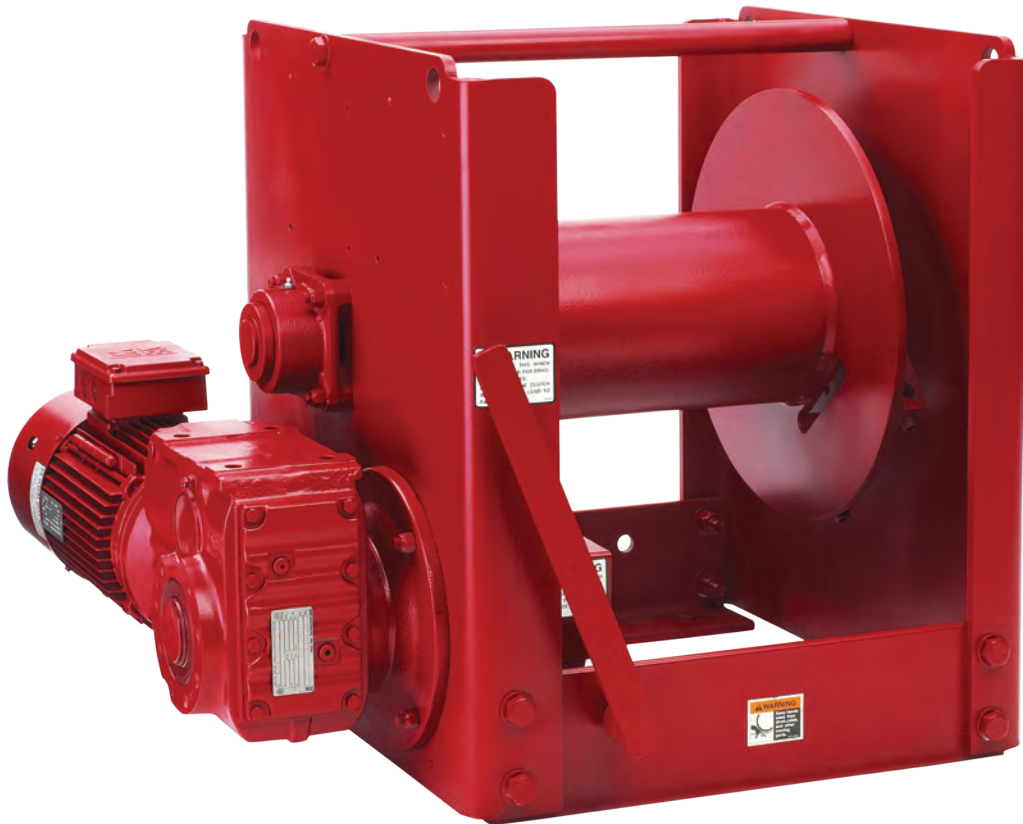




HEAVY-DUTY ELECTRIC POWER WINCH

4HS SERIES



thern.com
(507) 454-2996

4HS SERIES

HEAVY-DUTY ELECTRIC POWER WINCHES



DUAL-STAGE GEAR REDUCTION for Economical Handling of Large Loads

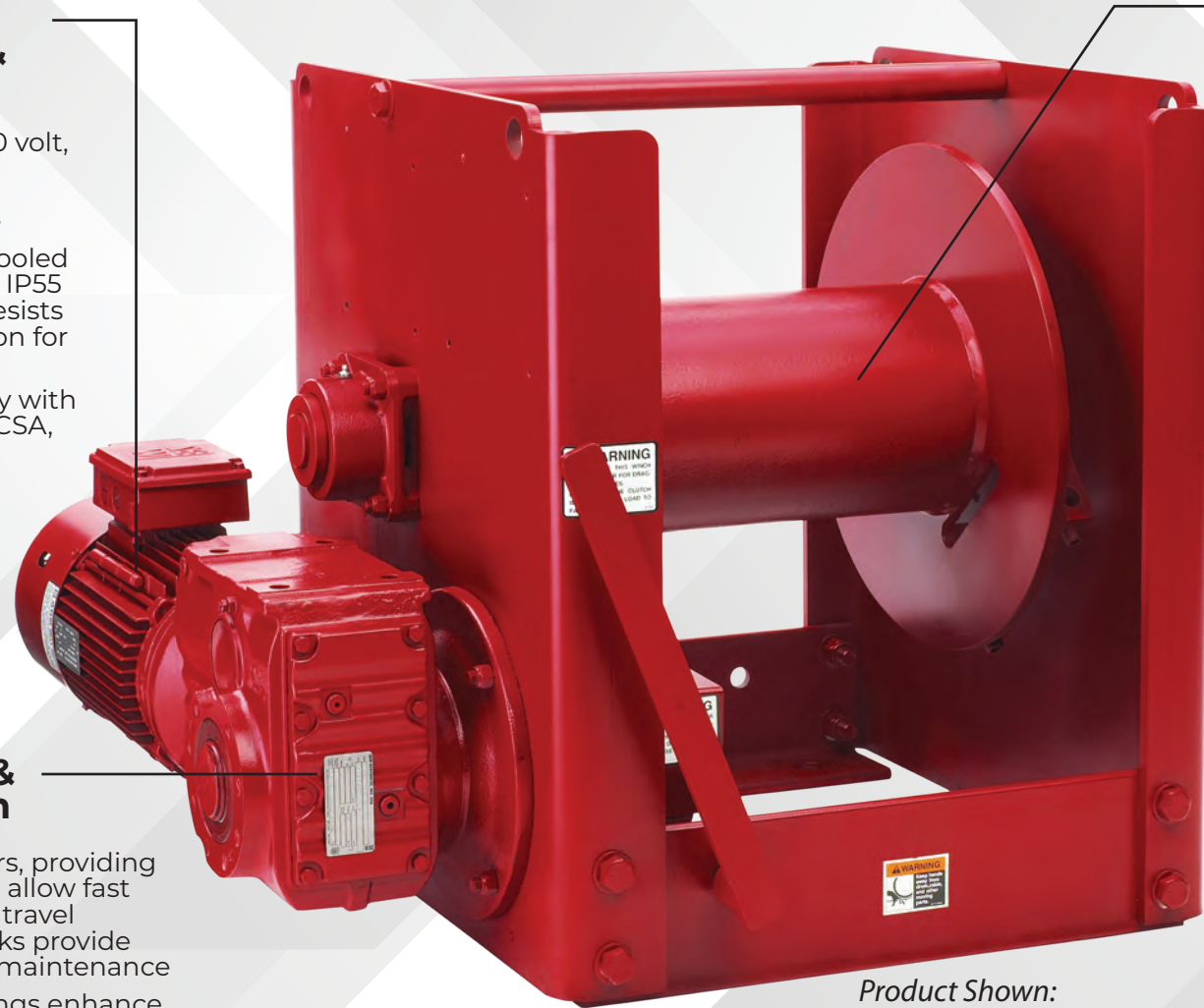
The 4HS Series of power winches (5,000 to 26,000 pounds) is designed for applications requiring long travel distances and fast line speeds. A combination of directly driven, helical/bevel or helical/parallel and spur gearing provides durability and high efficiency—up to 89 percent. Modular design allows customization to meet specific customer specifications. Typical applications include rail yards, conveyor belt tensioning, and barge or dredge positioning.

Flange-Mounted Premium Motor & Enclosure

- Energy-efficient 230/460 volt, reversible, three-phase, industrial-grade motor, endures continuous use
- A totally enclosed, fan-cooled (TEFC) design, featuring IP55 and F-class insulation, resists debris and contamination for long service life
- Standard motors comply with industry standards: UL, CSA, IEC, and NEMA MG1

Durable Gears & Gearbox Design

- Heavy-duty spur gears, providing secondary reduction, allow fast line speeds and long travel distances. Grease zerks provide easy lubrication and maintenance
- Large-capacity bearings enhance smooth operation and durability
- Sealed, cast-iron gearbox with integral oil bath for rotating gears dissipates heat and provides continuous lubrication for enhanced service life
- Primary speed reducers meet AGMA and/or DIN standards



Product Shown:
4HS11M

Integral Drum & Shaft Design

- Large-diameter, welded-steel drum, featuring outside flange anchors, promotes uniform winding and life of wire rope
- Anchors allow cable to be over or under wound and provide multiple drum exit angles
- Flange-style, self-aligning roller bearings with cast-iron housing maintain smooth drum rotation
- Continuous, solid-steel drum shaft and steel frame provide optimal strength and security
- Complete wire rope assemblies available upon request

Modular Design

- Flexible winch design allows customization by Thern to meet specific customer requirements

PERFORMANCE

IMPERIAL					
Series	Load Rating	Power Supply	Line Speed	Drum Capacity	Clutch
4HS6M	6,600 lbs	2–7.5 hp	13–39 fpm	850 ft	Yes
4HS11M	11,000 lbs	5–10 hp	15–27 fpm	1,170 ft	Yes
4HS16M	16,100 lbs	5–15 hp	11–37 fpm	1,530 ft	Yes
4HS26M	26,000 lbs	10–20 hp	13–29 fpm	1,070 ft	Yes
METRIC					
Series	Load Rating	Power Supply	Line Speed	Drum Capacity	Clutch
4HS6M	2,290 kg	1.5–5.5 kW	3–11 mpm	259 m	Yes
4HS11M	4,985 kg	3.7–7.5 kW	4–8 mpm	356 m	Yes
4HS16M	7,300 kg	3.7–11 kW	3–11 mpm	466 m	Yes
4HS26M	11,790 kg	7.5–15 kW	3–8 mpm	326 m	Yes

ASME B30.7 Compliance Available

- Contact Thern for details

Load-Holding Motor Disk Brake

- Spring-set, electrically-released brake helps control loads and facilitates safe operation

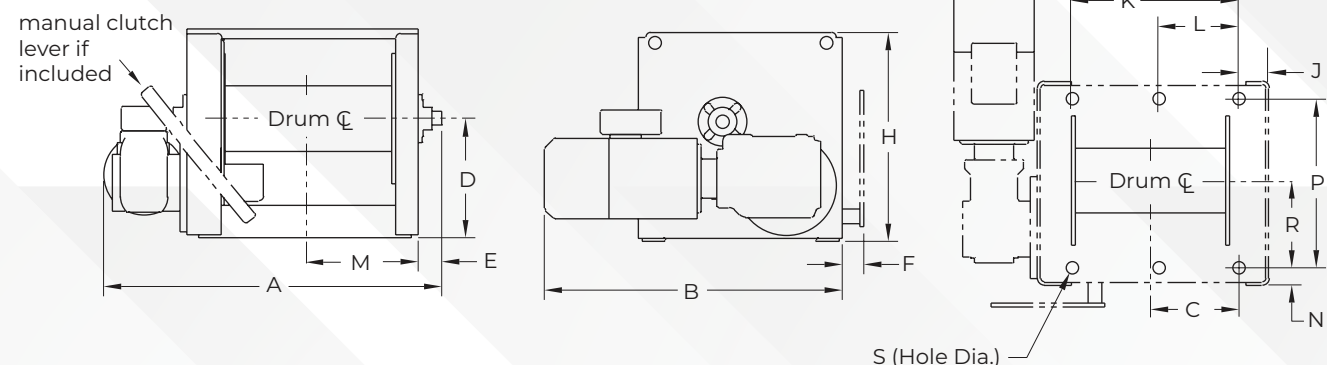
NOTICE: These products are not for lifting people or things over people.

Refer to technical pages for detailed performance information.

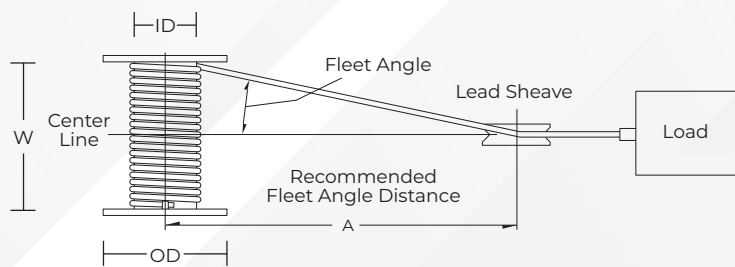
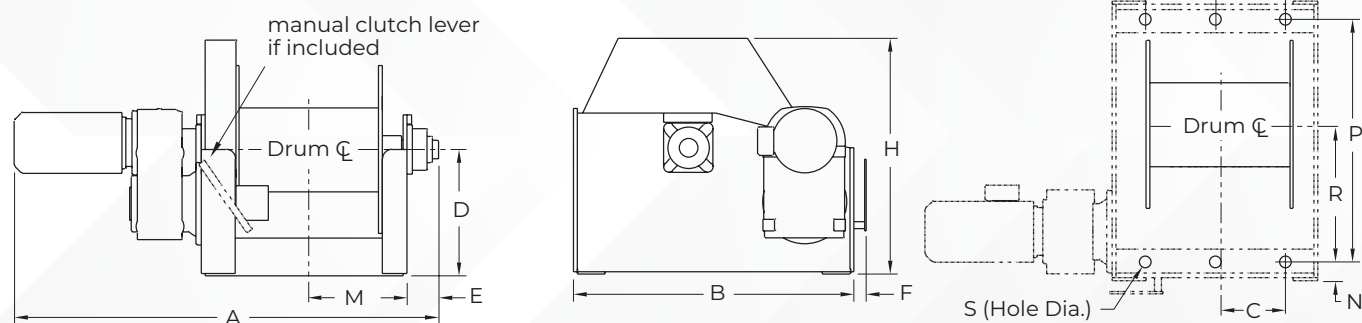
4HS SERIES

HEAVY-DUTY ELECTRIC POWER WINCHES

4HS6-26M Series



4HS40-56M Series



4HS Series Drum Dimensions

Model	Drum Diameter (ID)		Flange Diameter (OD)		Drum Width (W)		Fleet Angle Distance (A) ¹	
	(in)	(mm)	(in)	(mm)	(in)	(mm)	(ft)	(m)
4HS6M	7	178	14	356	18	457	29	8.8
4HS11M	9	229	20	508	18	457	29	8.8
4HS16M	10.75	273	24	610	20	508	32	9.8
4HS26M	14	356	28	711	26	660	42	12.8
4HS40M	18	457	36	914	30	762	48	14.6
4HS56M	24	610	43	1,092	36	914	58	17.7

¹ Recommended minimum distance between drum and lead sheave for smooth drum. Dimensions are for reference only and subject to change without notice. Please contact Thern for exact dimensions.

Electric Motor Controls

Model	Description	Approx. Ship Wt.	
		(lb)	(kg)
10S3D4	electric motor controls 230/3/60 to 3 hp	25	12
10S7D4	electric motor controls 230/3/60 to 7.5 hp	25	12
10S10D4	electric motor controls 230/3/60 to 10 hp	28	13
10S20D4	electric motor controls 230/3/60 to 20 hp	28	13
10S30D4	electric motor controls 230/3/60 to 30 hp	60	28
10S7E4	electric motor controls 460/3/60 to 7.5 hp	25	12
10S15E4	electric motor controls 460/3/60 to 15 hp	25	12
10S20E4	electric motor controls 460/3/60 to 20 hp	28	13
10S40E4	electric motor controls 460/3/60 to 40 hp	60	28
10S60E4	electric motor controls 460/3/60 to 60 hp	60	28

Controls include NEMA 4 rated enclosure and NEMA 4X rated pendant control on 50-foot cord.

Motor controls sold separately. Please contact Thern or nearest Thern Distributor for firm, fixed price and delivery. All prices include mounting and wiring to motor.

4HS Series Drum Capacities

Wire Rope Diameter	Breaking Strength ²	Drum Capacity	4HS6M		4HS11M		4HS16M		4HS26M		4HS40M		4HS56M		
			(in)	(mm)	(lb)	(kg)	(ft)	(m)	(ft)	(m)	(ft)	(m)	(ft)	(m)	
3/8	9.7	15,100	6,849	1st	80	24.4	-	-	-	-	-	-	-	-	
				Mid	380	115.8	-	-	-	-	-	-	-	-	-
				Full	850	259.1	-	-	-	-	-	-	-	-	-
7/16	11.2	20,400	9,254	1st	68	20.7	-	-	-	-	-	-	-	-	
				Mid	290	88.4	-	-	-	-	-	-	-	-	-
				Full	640	195.1	-	-	-	-	-	-	-	-	-
1/2	12.7	26,600	12,066	1st	60	18.3	76	23.2	-	-	-	-	-	-	
				Mid	220	67.1	520	158.5	-	-	-	-	-	-	-
				Full	500	152.4	1,170	356.6	-	-	-	-	-	-	-
9/16	14.2	33,600	15,240	1st	53	16.2	67	20.4	89	27.1	-	-	-	-	
				Mid	180	54.9	420	128.0	690	210.3	-	-	-	-	-
				Full	400	121.9	930	283.5	1,530	466.3	-	-	-	-	-
5/8	16.0	41,200	18,688	1st	-	-	59	18.0	78	23.8	-	-	-	-	
				Mid	-	-	340	103.6	560	170.7	-	-	-	-	-
				Full	-	-	760	231.6	1,250	381.0	-	-	-	-	-
3/4	19.1	58,800	26,671	1st	-	-	48	14.6	65	19.8	-	-	-	-	
				Mid	-	-	240	73.2	400	121.9	-	-	-	-	-
				Full	-	-	540	164.6	880	268.2	-	-	-	-	-
7/8	22.4	79,600	36,106	1st	-	-	-	54	16.5	94	28.7	-	-	-	
				Mid	-	-	-	290	88.4	480	146.3	-	-	-	-
				Full	-	-	-	640	195.1	1,070	326.1	-	-	-	-
1	25.4	103,400	46,902	1st	-	-	-	47	14.3	82	25.0	-	-	-	
				Mid	-	-	-	220	67.1	370	112.8	-	-	-	-
				Full	-	-	-	490	149.4	830	253.0	-	-	-	-
1-1/8	28.7	130,000	58,968	1st	-	-	-	-	-	71	21.6	110	33.5	-	
				Mid	-	-	-	-	-	300	91.4	580	176.8	-	-
				Full	-	-	-	-	-	660	201.2	1,290	393.2	-	-
1-1/4	31.8	159,800	72,485	1st	-	-	-	-	-	63	19.2	95	29.0	160	48.8
				Mid	-	-	-	-	-	240	73.2	460	140.2	730	222.5
				Full	-	-	-	-	-	530	161.5	1,030	313.9	1,630	496.8
1-3/8	34.9	192,000	87,090	1st	-	-	-	-	-	56	17.1	85	25.9	140	42.7
				Mid	-	-	-	-	-	200	61.0	390	118.9	610	185.9
				Full	-	-	-	-	-	440	134.1	860	262.1	1,360	414.5
1-1/2	38.1	228,000	103,420	1st	-	-	-	-	-	-	77	23.5	130	39.6	
				Mid	-	-	-	-	-	-	-	330	100.6	510	155.4
				Full	-	-	-	-	-	-	-	720	219.5	1,140	347.5
1-5/8	41.3	264,000	119,750	1st	-	-	-	-	-	-	-	-	110	33.5	
				Mid	-	-	-	-	-	-	-	-	-	430	131.1
				Full	-	-	-	-	-	-	-	-	-	950	289.6
1-3/4	44.5	306,000	138,800	1st	-	-	-	-	-	-	-	-	110	33.5	
				Mid	-	-	-	-	-	-	-	-	-	370	112.8
				Full	-	-	-	-	-	-	-	-	-	820	249.9
1-7/8	47.7	348,000	157,851	1st	-	-	-	-	-	-	-	-	97	29.6	
				Mid	-	-	-	-	-	-	-	-	-	320	97.5
				Full	-	-	-	-	-	-	-	-	-	720	219.5

² Values based on 6x37 IWRC EIPS wire rope.

Actual drum capacities 25-30% less due to nonuniform winding. Wire rope tension will also affect drum capacity.

Wire rope should be selected based on the breaking strength to load rating ratio and application parameters. Industry standards suggest a 5:1 breaking strength to load rating ratio for lifting and a 3:1 ratio for pulling.

4HS6-26M Series Winch Dimensions

Model	A		B		C		D		E		F		G		H		J		K		L		M		N		P		R		S (hole dia.)		Ship Wt. ³	
	(in)	(mm)	(in)	(mm)	(in)	(mm)	(in)	(mm)	(in)	(mm)	(in)	(mm)	(in)	(mm)	(in)	(mm)	(in)	(mm)	(in)	(mm)	(in)	(mm)	(in)	(mm)	(in)	(mm)	(in)	(mm)	(in)	(mm)	(in)	(mm)	(lb)	(kg)
4HS6M-5000-15	36	914	27.25	692	8.63	219	12.88	327	2.47	63	2.28	58	16.31	414	22.5	572	3.25	83	18	457	-	-	11.88	302	1.88	48	18.25	464	11.13	283	7/8	22	570	259
4HS6M-5000-20	36	914	29.25	743	8.63	219	12.88	327	2.47	63	2.28	58	16.31	414	22.5	572	3.25	83	18	457	-	-	11.88	302	1.88	48	18.25	464	11.13	283	7/8	22	590	268
4HS6M-5000-30	36	914	29.25	743	8.63	219	12.88	327	2.47	63	2.28	58	16.31	414	22.5	572	3.25	83	18	457	-	-	11.88	302	1.88	48	18.25	464	11.13	283	7/8	22	590	268
4HS6M-6600-15	36	914	29.25	743	8.63	219	12.88	327	2.47	63	2.28	58	16.31	414	22.5	572	3.25	83	18	457	-	-	11.88	302	1.88	48	18.25	464	11.13	283	7/8	22	590	268
4HS6M-6600-25	36	914	29.25	743	8.63	219	12.88	327	2.47	63	2.28	58	16.31	414	22.5	572	3.25	83	18	457	-	-	11.88	302	1.88	48	18.25	464	11.13	283	7/8	22	590	268
4HS6M-6600-40	36	914	29.25	743	8.63	219	12.88	327	2.47	63	2.28	58	16.31	414	22.5	572	3.25	83	18	457	-	-	11.88	302	1.88	48	18.25	464	11.13	283	7/8	22	650	295
4HS11M-9000-20	41	1,041	31.75	806	8.5	216	17.75	451	5.13	130	2.38	60	18.44	468	31	787	4	102	18	457	-	-	12.50	318	2.75	70	22	559	12.50	318	1-3/16	30	1,080	490
4HS11M-9000-30	41.5	1,054	34.75	883	8.5	216	17.75	451	5.13	130	2.38	60	18.44	468	31	787	4	102	18	457	-	-	12.50	318	2.75	70	22	559	12.50	318	1-3/16	30	1,120	509
4HS11M-9000-40	42.5	1,080	37	940	8.5	216	17.75	451	5.13	130	2.38	60	18.44	468	31	787	4	102	18	457	-	-	12.50	318	2.75	70	22	559	12.50	318	1-3/16	30	1,160	527
4HS11M-11000-15	41	1,041	31.75	806	8.5	216	17.75	451	5.13	130	2.38	60	18.44	468	31	787	4	102	18	457	-	-	12.50	318	2.75	70	22	559	12.50	318	1-3/16	30	1,080	490
4HS11M-11000-20	41.5	1,054	34.75	883	8.5	216	17.75	451	5.13	130	2.38	60	18.44	468	31	787	4	102	18	457	-	-	12.50	318	2.75	70	22	559	12.50	318	1-3/16	30	1,120	509
4HS11M-11000-30	42.5	1,080	37	940	8.5	216	17.75	451	5.13	130	2.38	60	18.44	468	31	787	4	102	18	457	-	-	12.50	318	2.75	70	22	559	12.50	318	1-3/16	30	1,160	527
4HS16M-13000-20	46	1,168	37.5	953	9.5	241	20	508	6.25	159	2.00	51	18.94	481	34	864	4	102	20	508	10	254	13.50	343	2.75	70	27.50	699	16.25	413	1-3/16	30	1,580	717
4HS16M-13000-25	47	1,194	39.5	1,003	9.5	241	20	508	6.25	159	2.00	51	18.94	481	34	864	4	102	20	508	10	254	13.50	343	2.75	70	27.50	699	16.25	413	1-3/16	30	1,640	744
4HS16M-13000-40	47	1,194	42	1,067	9.5	241	20	508	6.25	159	2.00	51	18.94	481	34	864	4	102	20	508	10	254	13.50	343	2.75	70	27.50	699	16.25	413	1-3/16	30	1,680	763
4HS16M-16000-10	46	1,168	34.5	876	9.5	241	20	508	6.25	159	2.00	51	18.94	481	34	864	4	102	20	508	10	254	13.50	343	2.75	70	27.50	699	16.25	413	1-3/16	30	1,520	690
4HS16M-16000-15	46	1,168	37.5	953	9.5	241	20	508	6.25	159	2.00	51	18.94	481	34	864	4	102	20	508	10	254	13.50	343	2.75	70	27.50	699	16.25	413	1-3/16	30	1,580	717
4HS16M-16000-20	47	1,194	39.5	1,003	9.5	241	20	508	6.25	159	2.00	51	18.94	481	34	864	4	102	20	508	10	254	13.50	343	2.75	70	27.50	699	16.25	413	1-3/16	30	1,640	744
4HS26M-22000-15	60.5	1,537	42.5	1,080	12.38	314	25.38	645	8.06	205	2.44	62	21	533	44.5	1,130	5.88	149	26	660	13	330	18.25	464	3.00	76	36	914	21.75	552	1-3/8	35	3,130	1,420
4HS26M-22000-25	60.5	1,537	45	1,143	12.38	314	25.38	645	8.06	205	2.44	62	21	533	44.5	1,130	5.88	149	26	660	13	330	18.25	464	3.00	76	36	914	21.75	552	1-3/8	35	3,170	1,438
4HS26M-22000-30	60.5	1,537	48.5	1,232	12.38	314	25.38	645	8.06	205	2.44	62	21	533	44.5	1,130	5.88	149	26	660	13	330	18.25	464	3.00	76	36	914	21.75	552	1-3/8	35	3,350	1,520
4HS26M-26000-15	60.5	1,537	42.5	1,080	12.38	314	25.38	645	8.06	205	2.44	62	21	533	44.5	1,130	5.88	149	26	660	13	330	18.25	464	3.00	76	36	914	21.75	552	1-3/8	35	3,130	1,420
4HS26M-26000-20	60.5	1,537	45	1,143	12.38	314	25.38	645	8.06	205	2.44	62	21	533	44.5	1,130	5.88	149	26	660	13	330	18.25	464	3.00	76	36	914	21.75	552	1-3/8	35	3,170	1,438
4HS26M-26000-25	60.5	1,537	48.5	1,232	12.38	314	25.38	645	8.06	205	2.44	62	21	533	44.5	1,130	5.88	149	26	660	13	330	18.25	464	3.00	76	36	914	21.75	552	1-3/8	35	3,350	1,520

³ Weight shown without clutch; contact Thern for clutch weight.
Dimensions are for reference only and subject to change without notice. Please contact Thern for exact dimensions.

4HS40-56M Series Winch Dimensions

Model	A		B		C		D		E		F		G		H		J		K		L		M		N		P		R		S (hole dia.)		Ship Wt. ³	
	(in)	(mm)	(in)	(mm)	(in)	(mm)	(in)	(mm)	(in)	(mm)	(in)	(mm)	(in)	(mm)	(in)	(mm)	(in)	(mm)	(in)	(mm)	(in)	(mm)	(in)	(mm)	(in)	(mm)	(in)	(mm)	(in)	(mm)	(in)	(mm)	(lb)	(kg)
4HS40M-33000-20	91	2,311	60	1,524	14	356	27	686	6.75	171	2.63	67	24.63	626	51	1,295	7	178	30	762	-	-	21	533	4	102	52	1,321	31.5	800	1-3/4	44	5,570	2,527
4HS40M-33000-30	94	2,388	60	1,524	14	356	27	686	6.75	171	2.63	67	24.63	626	51	1,295	7	178	30	762	-	-	21	533	4	102	52	1,321	31.5	800	1-3/4	44	5,660	2,568
4HS40M-33000-40	96	2,438	60	1,524	14	356	27	686	6.75	171	2.63	67	24.63	626	51	1,295	7	178	30	762	-	-	21	533	4	102	52	1,321	31.5	800	1-3/4	44	5,800	2,631
4HS40M-40000-20	91	2,311	60	1,524	14	356	27	686	6.75	171	2.63	67	24.63	626	51	1,295	7	178	30	762	-	-	21	533	4	102	52	1,321	31.5	800	1-3/4	44	5,570	2,527
4HS40M-40000-25	94	2,388	60	1,524	14	356	27	686	6.75	171	2.63	67	24.63	626	51	1,295	7	178	30	762	-	-	21	533	4	102	52	1,321	31.5	800	1-3/4	44	5,660	2,568
4HS40M-40000-35	96	2,438	60	1,524	14	356	27	686	6.75	171	2.63	67	24.63	626	51	1,295	7	178	30	762	-	-	21	533	4	102	52	1,321	31.5	800	1-3/4	44	5,800	2,631
4HS56M-48000-20	108	2,743	72	1,829	18	457	32	813	8.75	222	2.63	67	23.13	588	62	1,575	7	178	36	914	18	457	25	635	4.5	114	63	1,600	34.5	876	1-3/4	44	9,220	4,183
4HS56M-48000-30	110	2,794	72	1,829	18	457	32	813	8.75	222	2.63	67	23.13	588	62	1,575	7	178	36	914	18	457	25	635	4.5	114	63	1,600	34.5	876	1-3/4	44	9,370	4,251
4HS56M-52000-35	113	2,870	72	1,829	18	457	32	813	8.75	222	2.63	67	23.13	588	62	1,575	7	178	36	914	18	457	25	635	4.5	114	63	1,600	34.5	876	1-3/4	44	9,480	4,301
4HS56M-56000-20	108	2,743	72	1,829	18	457	32	813	8.75	222	2.63	67	23.13	588	62	1,575	7	178	36	914	18	457	25	635	4.5	114	63	1,600	34.5	876	1-3/4	44	9,220	4,183
4HS56M-56000-25	110	2,794	72	1,829	18	457	32	813	8.75	222	2.63	67	23.13	588	62	1,575	7	178	36	914	18	457	25	635	4.5	114	63	1,600	34.5	876	1-3/4	44	9,370	4,251
4HS56M-56000-30	113	2,870	72	1,829	18	457	32	813	8.75	222	2.63	67	23.13	588	62	1,575	7	178	36	914	18	457	25	635	4.5	114	63	1,600	34.5	876	1-3/4	44	9,480	4,301

³ Weight shown without clutch; contact Thern for clutch weight.
Dimensions are for reference only and subject to change without notice. Please contact Thern for exact dimensions.

4HS Series Performance Characteristics

Model	Model Number Extensions				Motor (hp)	Load Rating						Line Speed			
	Load Rating	Line Speed	Motor Codes ⁴	Clutch Option ⁵		1st Layer		Mid Drum		Full Drum		1st Layer		Full Drum	
	(lb)	(fpm)				(lb)	(kg)	(lb)	(kg)	(lb)	(kg)	(fpm)	(mpm)	(fpm)	(mpm)
4HS6M	5,000	15	D, E, F	C	2	5,100	2,314	3,800	1,725	3,100	1,407	13	4.0	22	6.7
4HS6M	5,000	20	D, E, F	C	3	5,100	2,314	3,800	1,725	3,100	1,407	20	6.1	33	10.1
4HS6M	5,000	30	D, E, F	C	5	5,100	2,314	3,800	1,725	3,100	1,407	33	10.1	55	16.8
4HS6M	6,600	15	D, E, F	C	3	6,600	2,994	5,000	2,269	4,000	1,815	15	4.6	25	7.6
4HS6M	6,600	25	D, E, F	C	5	6,600	2,994	4,900	2,224	4,000	1,815	25	7.6	41	12.5
4HS6M	6,600	40	D, E, F	C	7.5	6,600	2,994	5,000	2,269	4,000	1,815	39	11.9	64	19.5
4HS11M	9,000	20	D, E, F	C	5	9,000	4,083	6,200	2,814	4,700	2,132	19	5.8	35	10.7
4HS11M	9,000	30	D, E, F	C	7.5	9,000	4,083	6,200	2,814	4,700	2,132	27	8.2	51	15.5
4HS11M	9,000	40	D, E, F	C	10	9,000	4,083	6,200	2,814	4,700	2,132	37	11.3	70	21.3
4HS11M	11,000	15	D, E, F	C	5	11,000	4,990	7,600	3,449	5,800	2,631	15	4.6	28	8.5
4HS11M	11,000	20	D, E, F	C	7.5	11,000	4,990	7,600	3,449	5,800	2,631	21	6.4	40	12.2
4HS11M	11,000	30	D, E, F	C	10	11,000	4,990	7,600	3,449	5,800	2,631	27	8.2	51	15.5
4HS16M	13,000	20	D, E, F	C	7.5	13,000	5,897	8,900	4,039	6,700	3,040	19	5.8	37	11.3
4HS16M	13,000	25	D, E, F	C	10	13,000	5,897	8,900	4,039	6,700	3,040	24	7.3	46	14.0
4HS16M	13,000	40	D, E, F	C	15	13,000	5,897	8,900	4,039	6,700	3,040	37	11.3	72	21.9
4HS16M	16,000	10	D, E, F	C	5	16,100	7,303	11,000	4,992	8,300	3,765	11	3.4	21	6.4
4HS16M	16,000	15	D, E, F	C	7.5	16,000	7,258	10,900	4,947	8,300	3,765	16	4.9	30	9.1
4HS16M	16,000	20	D, E, F	C	10	16,100	7,303	11,000	4,992	8,300	3,765	20	6.1	38	11.6
4HS26M	22,000	15	D, E, F	C	10	22,000	9,980	16,200	7,352	12,800	5,807	16	4.9	27	8.2
4HS26M	22,000	25	D, E, F	C	15	22,000	9,980	16,100	7,307	12,700	5,761	23	7.0	40	12.2
4HS26M	22,000	30	D, E, F	C	20	22,900	10,388	16,800	7,624	13,200	5,988	29	8.8	50	15.2
4HS26M	26,000	15	D, E, F	C	10	26,000	11,794	19,000	8,623	15,000	6,804	13	4.0	23	7.0
4HS26M	26,000	20	D, E, F	C	15	26,000	11,794	19,000	8,623	15,100	6,850	19	5.8	33	10.1
4HS26M	26,000	25	D, E, F	C	20	26,000	11,794	19,100	8,668	15,000	6,804	26	7.9	45	13.7
4HS40M	33,000	20	D, E, F	C	20	33,100	15,015	24,100	10,937	18,900	8,574	19	5.8	34	10.4
4HS40M	33,000	30	D, E, F	C	30	33,000	14,969	24,100	10,937	18,900	8,574	29	8.8	51	15.5
4HS40M	33,000	40	D, E, F	C	40	33,100	15,015	24,100	10,937	18,900	8,574	39	11.9	68	20.7
4HS40M	40,000	20	D, E, F	C	20	40,300	18,281	29,300	13,297	23,000	10,433	17	5.2	29	8.8
4HS40M	40,000	25	D, E, F	C	30	40,300	18,281	29,400	13,342	23,100	10,479	23	7.0	41	12.5
4HS40M	40,000	35	D, E, F	C	40	40,000	18,144	29,400	13,342	22,900	10,388	34	10.4	59	18.0
4HS56M	48,000	20	D, E, F	C	30	48,000	21,773	37,200	16,882	30,300	13,745	21	6.4	33	10.1
4HS56M	48,000	30	D, E, F	C	40	48,000	21,773	37,200	16,882	30,300	13,745	28	8.5	44	13.4
4HS56M	52,000	35	D, E, F	C	50	52,200	23,678	40,400	18,334	32,900	14,924	33	10.1	52	15.8
4HS56M	56,000	20	D, E, F	C	30	56,000	25,402	43,300	19,650	35,400	16,058	18	5.5	29	8.8
4HS56M	56,000	25	D, E, F	C	40	56,000	25,402	43,400	19,695	35,400	16,058	24	7.3	38	11.6
4HS56M	56,000	30	D, E, F	C	50	56,200	25,493	43,500	19,741	35,500	16,103	30	9.1	47	14.3

Please contact Thern or nearest Thern distributor for firm, fixed price and delivery.
⁵ Clutch option for horizontal pulling only.

Motor Codes		
D	230 volt	3 phase
E	460 volt	3 phase
F	All other voltages, please contact Thern.	



MADE IN USA 

Thern, Incorporated

World Headquarters
5712 Industrial Park Road Winona, MN USA
Toll Free: 1-800-843-7648
Phone: 1-507-454-2996
www.thern.com

Thern Europe

Bedrijvenpark Twente 454e
7602 KM Almelo The Netherlands
Phone: +31-546-898-380
europa@thern.com