



PORTABLE ELECTRIC WINCH

ATLAS 4WP2 SERIES



thern.com
(507) 454-2996

ATLAS SERIES

PORTABLE ELECTRIC WINCHES



SPEED & PORTABILITY in a Compact Envelope

The 4WP2 Series electric winches combine portability with strength and precision—all in a compact envelope. The portable design makes it ideal for multiple industries and applications including manufacturing, construction, steel, wastewater treatment, rail operations, and more. Lift or pull in any direction and in any orientation: floor, ceiling, or wall.

Premium Motor & Configurations

- Brushless, totally enclosed AC induction motor provides superior life
- Quiet operation in both directions
- 115-volt single phase standard, with other voltages available (single, three-phase, and DC configurations)

Ready-to-Work Controls

- Standard push-button pendant and power cord standard on 4WP2 and 4WP2T8 for ready operation
- NEMA 4 rating for outdoor use

Durable Winch Frame & Component Construction

- Cast aluminum drum and gearbox (with enamel or optional epoxy coating) resists corrosion for extreme conditions and applications
- Coated steel frame resists elements and wear

Enhanced Load Handling

- Large-capacity drum for long travel distances
- Quick-disconnect anchor for 1/4" wire rope reduces labor/time



Premium Gearbox Design

- Gear box reducer with worm gear design for increased load control and quiet operation
- Fully enclosed oil bath dissipates heat and provides continuous lubrication for long service life

Internal Mechanical Load Brake

- Internal mechanical brake helps control loads and facilitates safe operation
- Oil-bath brake design increases durability by dissipating heat and reducing wear

Portable Design

- Ergonomic lifting handles enhance portability
- Integrated pressure plate prevents unspooling during transport
- Mounts on wall, ceiling, or floor for maximum flexibility
- Lightweight cast aluminum drum and gearbox

PERFORMANCE

IMPERIAL					
Series	Load Rating	Clutch	Line Speed	Drum Capacity	Drum (Wide or Narrow)
4WP2	2,000 lbs 1st layer	No	8-13 fpm	52-77 ft	Narrow
4WP2D8	1,500 lbs 1st layer	No	40-97 fpm	190-280 ft	Wide
4WP2DC*	1,500 lbs 1st layer	Yes	40-97 fpm	130-190 ft	Narrow
4WP2T8	2,000 lbs 1st layer	No	8-19 fpm	190-280 ft	Wide
4WP2TC*	2,000 lbs 1st layer	Yes	8-19 fpm	130-190 ft	Narrow

METRIC					
Series	Load Rating	Clutch	Line Speed	Drum Capacity	Drum (Wide or Narrow)
4WP2	907 kg 1st layer	No	2-3 mpm	15-23 m	Narrow
4WP2D8	680 kg 1st layer	No	12-29 mpm	57-85 m	Wide
4WP2DC*	680 kg 1st layer	Yes	12-29 mpm	39-57 m	Narrow
4WP2T8	907 kg 1st layer	No	2-5 mpm	57-85 m	Wide
4WP2TC*	907 kg 1st layer	Yes	2-5 mpm	39-57 m	Narrow

* For pulling applications only.

NOTICE: These products are not for lifting people or things over people.

Refer to technical pages for detailed performance information.

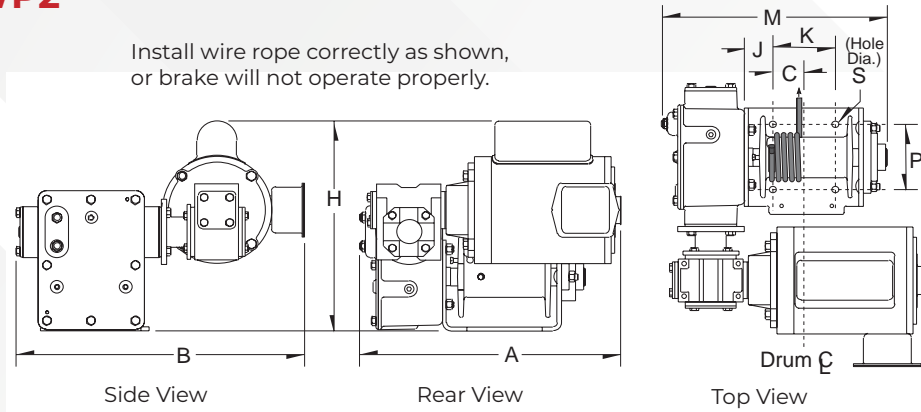
TECHNICAL DRAWINGS & SPECIFICATIONS

ATLAS SERIES

PORTABLE ELECTRIC WINCHES

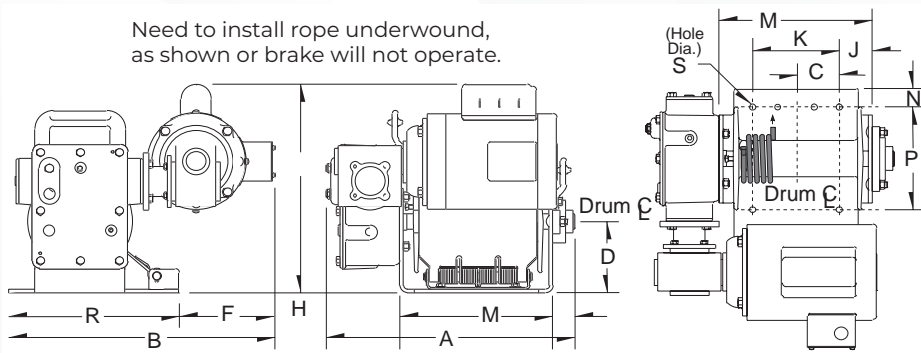
Series 4WP2

Install wire rope correctly as shown, or brake will not operate properly.



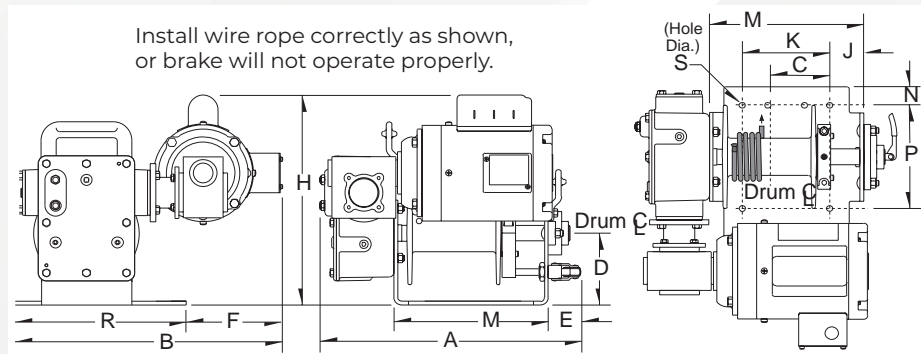
Series 4WP2T8

Need to install rope underground, as shown or brake will not operate.



Series 4WP2TC Clutch Models

Install wire rope correctly as shown, or brake will not operate properly.



Series 4WP2 and 4WP2T Performance Characteristics

Model Number	Motor Description	Motor HP	Load Rating			Wire Rope Dia. ¹	Line Speed		Drum Capacity ²			Approx. Ship Weight
			1st Layer	Mid Drum	Full Drum		1st Layer	Full Drum	1st Layer	Mid Drum	Full Drum	
4WP2 ³	Includes controls	1.3	2,000	1,500	1,200	1/4	8	13	11	35	77	85
4WP2T8-2000-8 ⁴	Includes controls ATLAS winch—8" drum—for pulling or lifting	1.3	2,000	1,200	800	1/4	8	19	19	130	280	101
4WP2TC-2000-8 ⁴	Includes controls Clutch model—5.5" drum—for horizontal pulling only	1.3	2,000	1,200	800	1/4	8	19	12	87	190	106

¹Minimum wire rope diameter is 1/4 inch.

²Actual drum capacities may be 25–30% less due to nonuniform winding. Tension in wire rope will also affect drum capacity.

³Model 4WP2: 115 VAC motor includes 8-foot power cord with grounded plug and NEMA4 push button pendant control on 6-foot cord.

⁴Models 4WP2T8 and 4WP2TC: 115 VAC motor includes 16-foot power cord with grounded plug and push button pendant control on 16-foot cord.

⁵Controls are sold separately for all non-standard electric motors (A,B,D, and E). See table below.

⁶For PN models, ratings are for 80 cfm at 100 psi.

Please contact Thern or nearest Thern Distributor for firm, fixed price and delivery.

Motor Options

Standard motor is 115/1/60 VAC TENV. For other configurations, add motor code to model number when ordering. EX: 4WP2T8-2000-8-PN (pneumatic winch)

A⁵ 115 volt, 1 phase, 60 Hz—no controls or power cord—TENV

B⁵ 230 volt, 1 phase, 60 Hz—no controls or power cord—TEFC

D⁵ 230 volt, 3 phase, 60 Hz—no controls or power cord—TEFC

E⁵ 460 volt, 3 phase, 60 Hz—no controls or power cord—TEFC

F All other voltages or hertz

PN⁶ 8-vane air motor with local lever control or remote pendant. Standard is local lever control mounted.

DC 12 volt DC with 10-foot pendant control

Control Options and Accessories

Model	Description	Approx. Ship Wt.
10L2A1 ⁷	NEMA 1 control switch—mounted and wired	3 lb
10L2A4 ⁷	NEMA 4 water tight control switch—mounted and wired	7 lb
TPL-4WP2T8	Two-part line kit—not available for 4WP2 Series	4 lb

⁷Controls for 115 volt, single phase, 60 cycle include 8-foot power cord with grounded plug. (drum control switches are not available for this model)

Please contact Thern or nearest Thern Distributor for firm, fixed price and delivery.

Series 4WP2 and 4WP2T Dimensions

Model	A ¹	B ¹	C	D	E	F	H ¹	J	K	M	N	P	R	S (Hole Dia.)
	in (mm)	in (mm)	in (mm)	in (mm)	in (mm)	in (mm)	in (mm)	in (mm)	in (mm)	in (mm)	in (mm)	in (mm)	in (mm)	in (mm)
4WP2	15.63 (397.01)	17.28 (438.92)	1.72 (43.69)	—	—	—	12.84 (326.14)	1.72 (43.69)	3.75 (95.25)	13.50 (342.9)	—	4.00 (101.6)	—	.41 (10.42)
4WP2T8-2000-8	16.62 (422.15)	17.80 (452.12)	2.75 (69.85)	4.88 (123.96)	1.44 (36.58)	6.43 (163.33)	14.25 (361.95)	2.25 (57.15)	5.81 (147.58)	10.25 (260.35)	1.25 (31.75)	7.00 (177.8)	11.38 (289.06)	.41 (10.42)
4WP2TC-2000-8	17.34 (440.44)	17.80 (452.12)	4.02 (102.1)	4.88 (123.96)	2.16 (54.87)	6.43 (163.33)	14.25 (361.95)	2.25 (57.15)	5.81 (147.58)	10.25 (260.35)	1.25 (31.75)	7.00 (177.8)	11.38 (289.06)	.41 (10.42)

Dimensions are for reference only and subject to change without notice.

¹Dimensions A, B, and H may vary with motor selection.

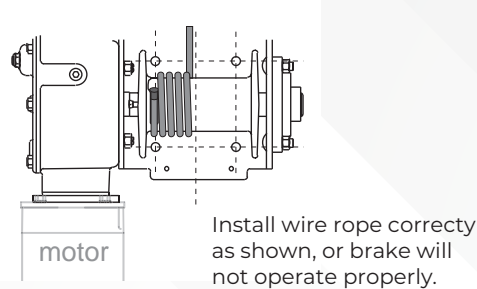
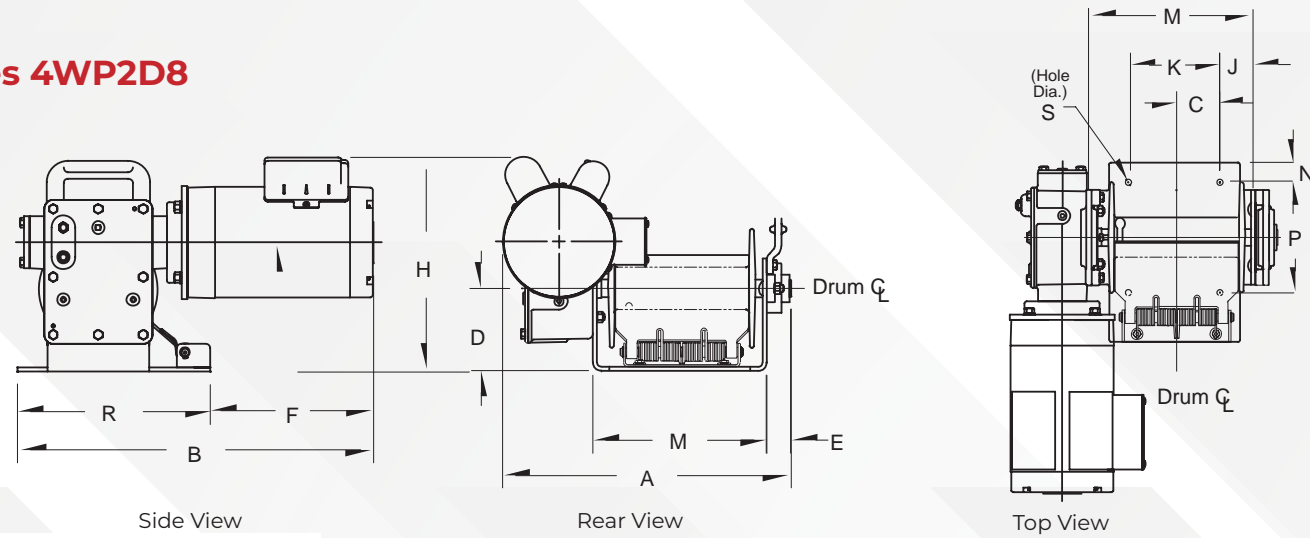
Series 4WP2 and 4WP2T Drum Dimensions

Model	Drum Diameter		Flange Diameter		Drum Width		Fleet Angle Distance ²	
	(in)	(mm)	(in)	(mm)	(in)	(mm)	(ft)	(m)
4WP2	2.50	63.5	5.00	127	5.00	127	8	2.4
4WP2T8-2000-8	2.50	63.5	7.00	177.8	8.00	203.2	13	4.0
4WP2TC-2000-8	2.50	63.5	7.00	177.8	5.50	139.7	9	2.7

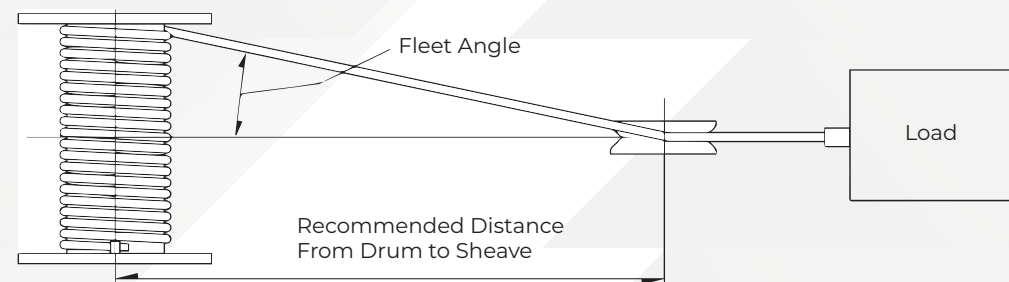
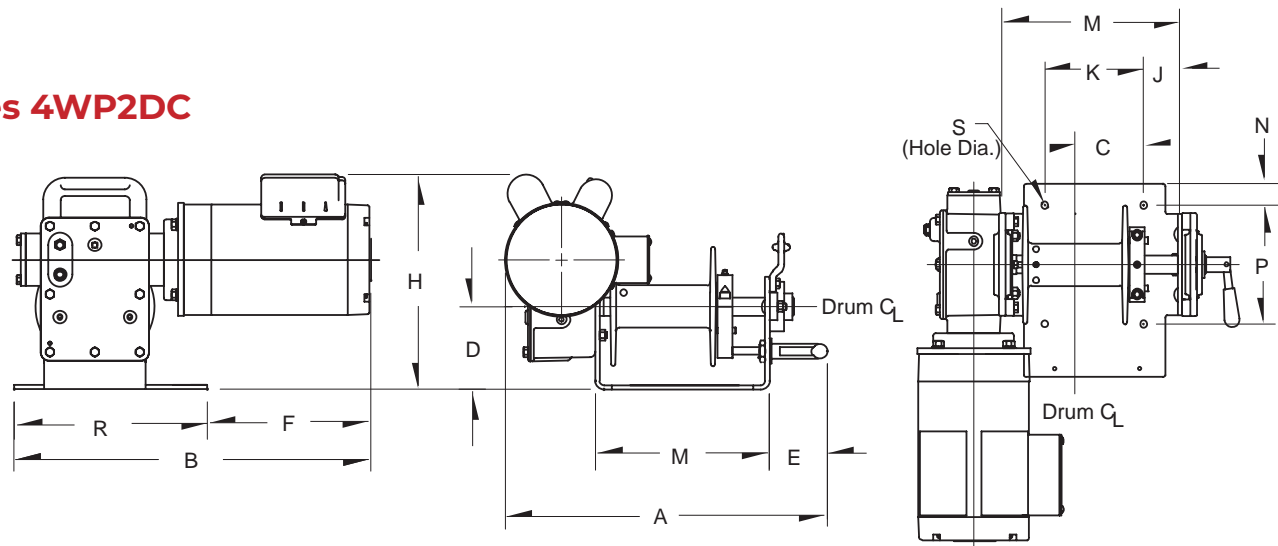
Dimensions are for reference only and subject to change without notice.

²Recommended minimum distance between drum and lead sheave for smooth drum.

Series 4WP2D8



Series 4WP2DC



Series 4WP2 and 4WP2T Performance Characteristics

Model	Model Number Extensions				Motor	Load Rating						Wire Rope Dia. ¹	Line Speed				Drum Capacity ²			Approx. Ship Weight ³						
	Load Rating	Line Speed	Motor Codes	Motor		1st Layer	Mid Drum	Full Drum	1st Layer	Full Drum	1st Layer		Mid Drum	Full Drum	1st Layer	Full Drum	1st Layer	Mid Drum	Full Drum	(lb)	(kg)					
	(lb)	(kg)	(fpm)(mpm)		(hp)	(lb)	(kg)	(lb)	(kg)	(lb)	(kg)	(in)	(mm)	(fpm)(mpm)	(fpm)(mpm)	(ft)	(m)	(ft)	(m)	(ft)	(m)	(lb)	(kg)			
High-Speed Atlas winches for lifting or pulling																										
4WP2D8	800	362	26	7.9	A,B,D,E	1	800	362	460	208	330	149	1/4	6.4	26	7	65	19	19	5	130	39	280	85	100	46
4WP2D8	800	362	40	12.1	D,E	1.5	800	362	460	208	330	149	1/4	6.4	40	12	97	29	19	5	130	39	280	85	100	46
4WP2D8	1,500	680	26	7.9	D,E	2	1,500	680	900	408	600	272	1/4	6.4	26	7	65	19	19	5	130	39	280	85	100	46
4WP2D8	1,500	680	40	12.1	B,D,E	3	1,500	680	900	408	600	272	1/4	6.4	40	12	97	29	19	5	130	39	280	85	100	46
High-Speed Clutch Model for horizontal pulling only																										
4WP2DC	800	362	26	7.9	A,B,D,E	1	800	362	460	208	330	149	1/4	6.4	26	7	65	19	12	3	87	26	190	57	100	46
4WP2DC	800	362	40	12.1	D,E	1.5	800	362	460	208	330	149	1/4	6.4	40	12	97	29	12	3	87	26	190	57	100	46
4WP2DC	1,500	680	26	7.9	D,E	2	1,500	680	900	408	600	272	1/4	6.4	26	7	65	19	12	3	87	26	190	57	100	46
4WP2DC	1,500	680	40	12.1	B,D,E	3	1,500	680	900	408	600	272	1/4	6.4	40	12	97	29	12	3	87	26	190	57	100	46

When ordering, please indicate model number and extensions. Examples: 4WP2D8-800-26-A (without clutch); 4WP2DC-800-40-A (with clutch). Please contact Thern or nearest Thern Distributor for firm, fixed price and delivery.

¹ Minimum wire rope diameter is 1/4 inch.

² Actual drum capacities 25-30% less due to nonuniform winding. Wire rope tension will also affect drum capacity.

³ Weight may vary with motor.

Control Options and Accessories

Model	Description	115/1/60 ⁴	230/1/60	230/3/60	460/3/60	Motor Codes	
10L2A1	NEMA 1	to 1.5 hp	to 2 hp	to 3 hp	to 3 hp	A	115 volt 1 phase
10L7E1	NEMA 1	to 1.5 hp	to 3 hp	to 5 hp	to 7.5 hp	B	230 volt 1 phase
10L2A4	NEMA 4—watertight	to 1.5 hp	to 2 hp	to 3 hp	to 3 hp	D	230 volt 3 phase
10L7E4	NEMA 4—watertight	to 1.5 hp	to 3 hp	to 5 hp	to 7.5 hp	E	460 volt 3 phase
						F	All other voltages, please contact Thern
10PIA46	6-foot pendant control	to 1 hp	—	—	—	PN	Please contact Thern
TPL-4WP2T8	Two-part line kit						

Please contact Thern or nearest Thern Distributor for firm, fixed price and delivery.

⁴ Controls for 115V, single-phase motors up to 1 hp, include an 8-foot power cord with grounded plug (drum control switches are not available for this model).

Series 4WP2D Dimensions

Model	A ¹	B ¹	C	D	E	F	H ¹	J	K	M	N	P	R	S (Hole Dia.)
	in (mm)	in (mm)	in (mm)	in (mm)	in (mm)	in (mm)	in (mm)	in (mm)	in (mm)	in (mm)	in (mm)	in (mm)	in (mm)	in (mm)
4WP2D8	17.50 (444.5)	21.00 (533.4)	2.75 (69.85)	5.00 (127)	1.50 (38.1)	9.50 (241.3)	12.75 (323.85)	2.25 (57.15)	5.81 (147.58)	10.25 (260.35)	1.25 (31.75)	7.00 (177.8)	11.50 (292.1)	.41 (10.42)
4WP2DC	19.00 (482.6)	21.00 (533.4)	4.00 (101.6)	4.88 (123.96)	3.50 (88.9)	9.50 (241.3)	12.75 (323.85)	2.25 (57.15)	5.81 (147.58)	10.25 (260.35)	1.25 (31.75)	7.00 (177.8)	11.50 (292.1)	.41 (10.42)

Dimensions are for reference only and subject to change without notice.

¹ Dimensions A, B, and H may vary with motor selection.

Series 4WP2D Drum Dimensions

Model	Drum Diameter	Flange Diameter	Drum Width	Fleet Angle Distance ²
	(in) (mm)	(in) (mm)	(in) (mm)	(ft) (m)
4WPD8	2.50 63.5	7.00 177.8	8.00 203.2	13.00 4.0
4WPDC	2.50 63.5	7.00 177.8	5.50 139.7	9.00 2.75

Dimensions are for reference only and subject to change without notice.

² Recommended minimum distance between drum and lead sheave for smooth drum.



MADE IN USA 

Thern, Incorporated

World Headquarters
5712 Industrial Park Road Winona, MN USA
Toll Free: 1-800-843-7648
Phone: 1-507-454-2996
www.thern.com

Thern Europe

Bedrijvenpark Twente 454e
7602 KM Almelo The Netherlands
Phone: +31-546-898-380
europa@thern.com