



PORTABLE ELECTRIC WINCH

ATLAS II 3WG4 SERIES



thern.com
(507) 454-2996

ATLAS II SERIES

PORTABLE ELECTRIC WINCHES

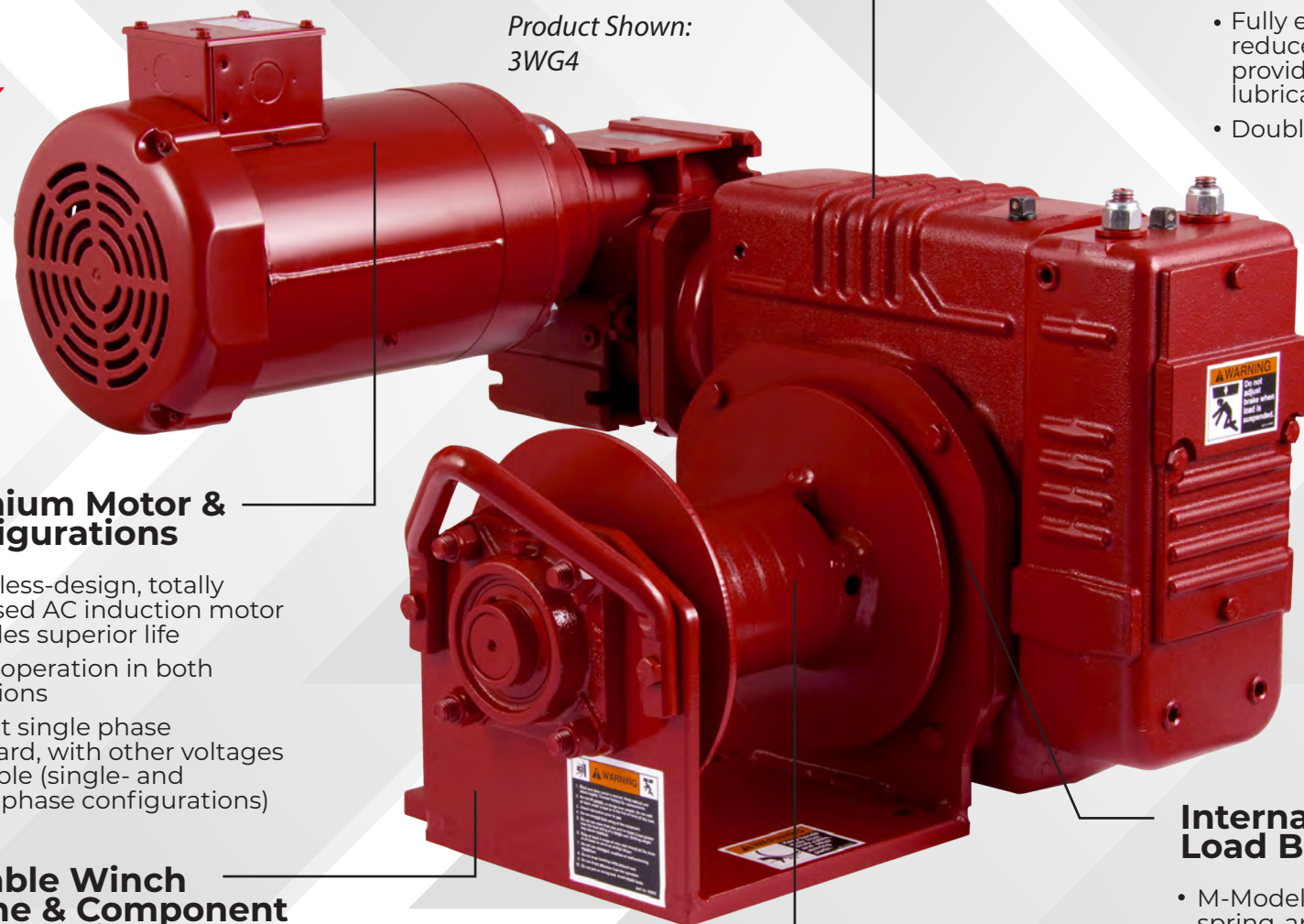


High-Power Capacity with Portable Convenience

The 3WG4 Series offers up to 4,600 pounds of secure lift and pull capacity, while retaining the versatility of a portable winch—just right for a variety of demanding applications. Lift or pull in any direction or orientation: floor, ceiling, or wall. Ideal for communication tower assembly, rail yards, steel operations, mining, heavy construction, and manufacturing applications.

Easy-to-Use Controls

- 115-volt pendant control and power cord included (3WG4, 3WG4-B, 3WG4-M)
- NEMA 4 rating for outdoor use



Product Shown:
3WG4

Premium Motor & Configurations

- Brushless-design, totally enclosed AC induction motor provides superior life
- Quiet operation in both directions
- 115-volt single phase standard, with other voltages available (single- and three-phase configurations)

Durable Winch Frame & Component Construction

- Cast aluminum gearbox (with enamel or optional epoxy coating) resists corrosion for extreme conditions and applications
- Painted steel frame resists elements and wear

Enhanced Load Handling

- Large-capacity drum for long travel distances

Premium Gearbox Design

- Fully enclosed oil bath for reducer dissipates heat and provides continuous lubrication for long service life
- Double-worm gearing

Internal Mechanical Load Brake

- M-Models feature a spring-applied, electrically released motor disk brake
- B-Models feature an internal, mechanical brake to help control loads and facilitate safe operation
- Wet brake design on B-Models increases durability by dissipating heat and reducing wear

PERFORMANCE

IMPERIAL				
Series	Load Rating	Power Supply	Line Speed	Drum Capacity
3WG4-B	4,000 lbs 1st layer	115 / 1 / 60	9-16 fpm	140-200 ft
3WG4-B	4,600 lbs 1st layer	230 / 3 / 60	13-24 fpm	140-200 ft
3WG4-M	4,000 lbs 1st layer	115 / 1 / 60	9-16 fpm	140-200 ft
3WG4-M	4,600 lbs 1st layer	230 / 3 / 60	13-24 fpm	140-200 ft
3WG4T-M	4,600 lbs 1st layer	230 / 3 / 60	13-28 fpm	220-300 ft

METRIC				
Series	Load Rating	Power Supply	Line Speed	Drum Capacity
3WG4-B	1,814 kg 1st layer	115 / 1 / 60	2-4 mpm	42-60 m
3WG4-B	2,086 kg 1st layer	230 / 3 / 60	4-7 mpm	42-60 m
3WG4-M	1,814 kg 1st layer	115 / 1 / 60	2-4 mpm	42-60 m
3WG4-M	2,086 kg 1st layer	230 / 3 / 60	4-7 mpm	42-60 m
3WG4T-M	2,086 kg 1st layer	230 / 3 / 60	4-8 mpm	67-91 m



NOTICE: These products are not for lifting people or things over people.

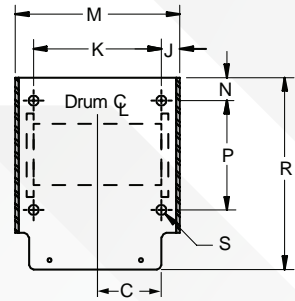
Refer to technical pages for detailed performance information.

TECHNICAL DRAWINGS & SPECIFICATIONS

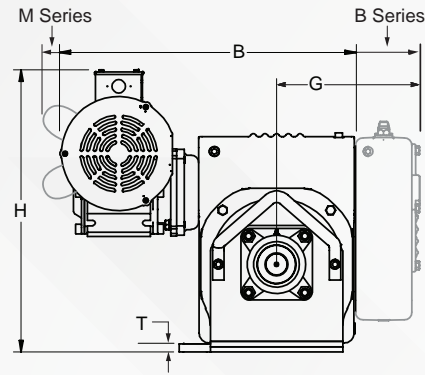
ATLAS II SERIES

PORTABLE ELECTRIC WINCHES

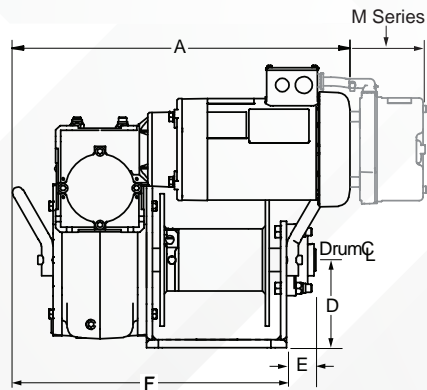
Mounting - Top View



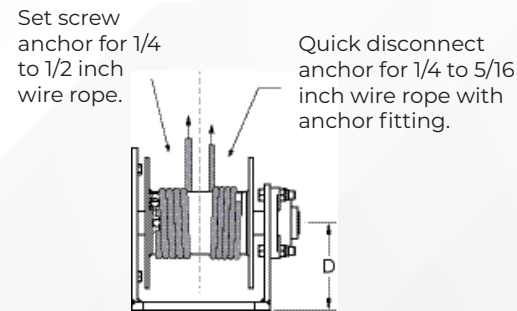
Side View



Back View



Cable Install



3WG4 Series Winch Dimensions

Model	Approx. Ship Wt.		A ¹		B ¹		C		D		E		F		G		H ¹		J		K		M		N		P		R		S		T	
	(lb)	(kg)	(in)	(mm)	(in)	(mm)	(in)	(mm)	(in)	(mm)	(in)	(mm)	(in)	(mm)	(in)	(mm)	(in)	(mm)	(in)	(mm)	(in)	(mm)	(in)	(mm)	(in)	(mm)	(in)	(mm)	(in)	(mm)	(in)	(mm)		
3WG4-B3500-9S6	240	108	22.5	571	24.5	622	3.63	92	5.63	143	1.88	47	17.75	450	9.5	241	18.5	469	1	25	7	177	9	228	1.25	31	6	152	10.5	266	9/16	14	0.5	12
3WG4-B3500-13S6	245	111	23.5	596	24.5	622	3.63	92	5.63	143	1.88	47	17.75	450	9.5	241	18.5	469	1	25	7	177	9	228	1.25	31	6	152	10.5	266	9/16	14	0.5	12
3WG4-B4000-9S6	235	106	23	584	24.5	622	3.63	92	5.63	143	1.88	47	17.75	450	9.5	241	18	457	1	25	7	177	9	228	1.25	31	6	152	10.5	266	9/16	14	0.5	12
3WG4-B4600-9S6	245	111	23.5	596	24.5	622	3.63	92	5.63	143	1.88	47	17.75	450	9.5	241	18.5	469	1	25	7	177	9	228	1.25	31	6	152	10.5	266	9/16	14	0.5	12
3WG4-B4600-13S6	245	111	22	558	23.5	596	3.63	92	5.63	143	1.88	47	17.75	450	9.5	241	18.5	469	1	25	7	177	9	228	1.25	31	6	152	10.5	266	9/16	14	0.5	12
3WG4-M3500-9S6	225	102	26.5	673	19.5	495	3.63	92	5.63	143	1.88	47	17.75	450	5.75	146	18	457	1	25	7	177	9	228	1.25	31	6	152	10.5	266	9/16	14	0.5	12
3WG4-M3500-13S6	235	106	28	711	21	533	3.63	92	5.63	143	1.88	47	17.75	450	5.75	146	18.5	469	1	25	7	177	9	228	1.25	31	6	152	10.5	266	9/16	14	0.5	12
3WG4-M4000-9S6	235	106	28	711	20.5	520	3.63	92	5.63	143	1.88	47	17.75	450	5.75	146	18	457	1	25	7	177	9	228	1.25	31	6	152	10.5	266	9/16	14	0.5	12
3WG4-M4600-9S6	235	106	28	711	21	533	3.63	92	5.63	143	1.88	47	17.75	450	5.75	146	18.5	469	1	25	7	177	9	228	1.25	31	6	152	10.5	266	9/16	14	0.5	12
3WG4-M4600-13S6	235	106	27.5	698	19.5	495	3.63	92	5.63	143	1.88	47	17.75	450	5.75	146	18.5	469	1	25	7	177	9	228	1.25	31	6	152	10.5	266	9/16	14	0.5	12

¹Dimensions A, B, and H may vary with motor selection. Dimensions are for reference only and subject to change without notice.

3WG4 Series Performance Characteristics

Model	Brake Style	Duty Rating ²	Motor Codes	Motor	Load Rating						Line Speed				Approx. Ship. Wt. ³	
					1st Layer		Mid Drum		Full Drum		1st Layer		Full Drum		(lb)	(kg)
		(mins)		(hp)	(lb)	(kg)	(lb)	(kg)	(lb)	(kg)	(fpm)	(mpm)	(fpm)	(mpm)	(lb)	(kg)
3WG4-B3500-9S6	Internal	15	B,C,D,E	1.5	3,500	1,587	2,500	1,134	1,900	861	9	2.7	16	4.9	186	85
3WG4-B3500-13S6	Internal	15	B,C,D,E	2	3,500	1,587	2,500	1,134	1,900	861	13	4.0	24	7.3	191	87
3WG4-B4000-9S6	Internal	15	A	1.5	4,000	1,814	2,800	1,270	2,200	997	9	2.7	16	4.9	181	83
3WG4-B4600-9S6	Internal	15	B,C,D,E	2	4,600	2,086	3,300	1,496	2,500	1,134	9	2.7	16	4.9	191	87
3WG4-B4600-13S6	Internal	15	C,D,E	3	4,600	2,086	3,300	1,496	2,500	1,134	13	4.0	24	7.3	190	87
3WG4-M3500-9S6	Motor	60	D,E	1.5	3,500	1,587	2,500	1,134	1,900	861	9	2.7	16	4.9	171	78
3WG4-M3500-13S6	Motor	60	B,D,E	2	3,500	1,587	2,500	1,134	1,900	861	13	4.0	24	7.3	182	83
3WG4-M4000-9S6	Motor	60	A	1.5	4,000	1,814	2,800	1,270	2,200	997	9	2.7	16	4.9	181	83
3WG4-M4600-9S6	Motor	60	B,D,E	2	4,600	2,086	3,300	1,496	2,500	1,134	9	2.7	16	4.9	182	83
3WG4-M4600-13S6	Motor	60	D,E	3	4,600	2,086	3,300	1,496	2,500	1,134	13	4.0	24	7.3	181	83

Please contact Thern or nearest Thern Distributor for firm, fixed price and delivery.

²Duty rating represents maximum operating time at full load. Rating includes lifting and lowering. Allow components to cool between cycles.

³Weight may vary with motor selection.

Control Options and Accessories

Model	Description	Approx. Ship Wt.	
		(lb)	(kg)
¹⁰ S ² D ⁴	Electric motor controls 230/3/60 to 3hp	25	12

Please contact Thern or nearest Thern Distributor for firm, fixed price and delivery.

NOTES:

For more information and other control options, please see pages 94-96. (the page number will need to be updated)

Custom controls are available including wireless remote control, variable speed control, electronic overload, and enclosures for special environments.

Motor Codes		
A	115 volt	1 phase
B	230 volt	1 phase
C	208 volt	3 phase
D	230 volt	3 phase
E	460 volt	3 phase
F	All other voltages, please contact Thern.	

3WG4 Series Drum Capacities⁴

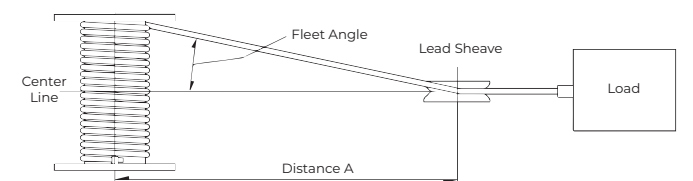
Model	Wire Rope Diameter		Drum Layer					
	(in)	(mm)	1st Layer		Mid Drum		Full Drum	
	(in)	(mm)	(ft)	(m)	(ft)	(m)	(ft)	(m)
3WG4-B/M	5/16	1.9	18	5.4	91	27.7	200	60.9
3WG4-B/M	3/8	9.5	14	4.2	65	19.8	140	42.6

⁴Actual drum capacities may be 25-30% less due to nonuniform winding. Tension in wire rope will also affect drum capacity.

3WG4 Series Drum Dimensions

Model	Drum Dia.		Flange Dia.		Drum Width		Fleet Angle Distance ⁵	
	(in)	(mm)	(in)	(mm)	(in)	(mm)	(ft)	(m)
3WG4-M	4.00	102	8.50	216	6.50	166	10.5	3.2

Dimensions are for reference only and subject to change without notice. ⁵Recommended minimum distance between drum and lead sheave for smooth drum.





MADE IN USA 

Thern, Incorporated

World Headquarters
5712 Industrial Park Road Winona, MN USA
Toll Free: 1-800-843-7648
Phone: 1-507-454-2996
www.thern.com

Thern Europe

Bedrijvenpark Twente 454e
7602 KM Almelo The Netherlands
Phone: +31-546-898-380
europa@thern.com