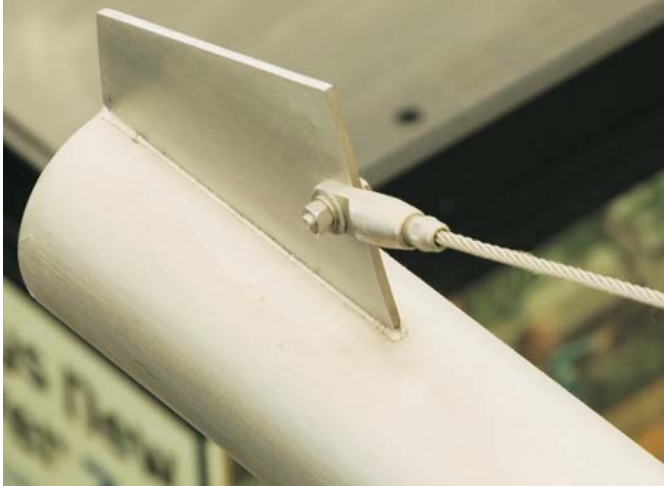


Eye Fittings



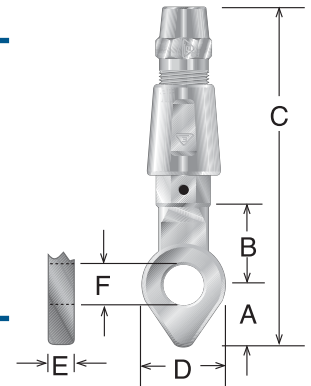
Eye Fitting - Hanging Sign Brackets - Denver International Airport

FORGED SERIES: Eye Socket Fittings

Dimensions in inches

Rope Size	Self-Colored Steel	Zinc Plated Steel	Galvanized Steel	A	B	C	D	E	F	EIPS Breaking Strength*
1/4	IGD-225-N*	-	IGD-225-X*	1-1/16	1-3/8	5-5/32	1-5/16	1/2	17/32	6,800#
5/16	IGD-231-N*	-	IGD-231-X*	1-1/16	1-3/8	5-1/2	1-5/16	9/16	21/32	10,540#
3/8	IGD-237-N*	-	IGD-237-X*	1-1/16	1-3/8	5-1/2	1-5/16	9/16	21/32	15,100#
7/16	GD-243-N	-	GD-243-X	1-5/16	1-11/16	6-7/8	1-3/4	3/4	29/32	20,400#
1/2	GD-250-N	-	GD-250-X	1-5/16	1-11/16	6-7/8	1-3/4	3/4	29/32	26,600#
9/16	GD-256-N	-	GD-256-X	1-1/2	2-9/16	9-3/16	2-1/4	7/8	1-1/32	33,600#
5/8	GD-262-N	-	GD-262-X	1-1/2	2-9/16	9-3/16	2-1/4	7/8	1-1/32	41,200#
3/4	GD-275-N	-	GD-275-X	1-11/16	2-3/8	9-1/2	2-1/4	1-1/16	1-5/32	58,800#
7/8	IGD-287-N*	IGD-287-V*	-	1-7/8	2-13/16	11-1/8	2-5/8	1-5/16	1-9/32	79,600#
1	IGD-299-N*	IGD-299-V*	-	2-1/4	3-1/4	13-7/16	3	1-9/16	1-17/32	103,400#

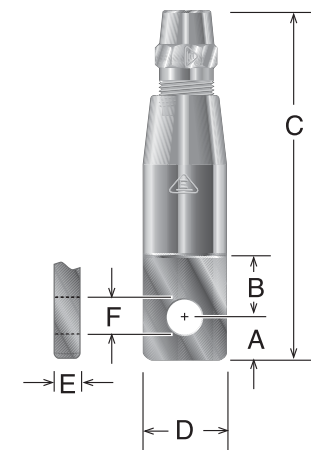
* Machined parts



MACHINED SERIES: Eye Socket Fittings

Dimensions in inches

Rope Size	Self-Colored Steel	Zinc Plated Steel	Stainless Steel	A	B	C	D	E	F	IPS Breaking Strength*
1/16	ID-206-N	ID-206-V	IS-206	9/32	11/32	2-1/16	1/2	11/64	13/64	480#
3/32	ID-209-N	ID-209-V	IS-209	11/32	31/64	2-15/32	5/8	15/64	17/64	920#
1/8	ID-212-N	ID-212-V	IS-212	11/32	31/64	2-15/32	5/8	15/64	17/64	1,700#
5/32	ID-215-N	ID-215-V	IS-215	13/32	11/16	3	3/4	19/64	21/64	2,400#
3/16	ID-218-N	ID-218-V	IS-218	13/32	11/16	3-5/64	3/4	19/64	21/64	3,340#
7/32	ID-221-N	ID-221-V	IS-221	1/2	13/16	3-3/4	15/16	23/64	25/64	4,800#
1/4	ID-225-N	ID-225-V	IS-225	1/2	13/16	3-3/4	15/16	23/64	25/64	5,880#
9/32	ID-228-N	ID-228-V	IS-228	19/32	27/32	4-9/32	1-1/16	23/64	29/64	7,600#
5/16	ID-231-N	ID-231-V	IS-231	19/32	27/32	4-9/32	1-1/16	23/64	29/64	9,160#
3/8	ID-237-N	ID-237-V	IS-237	21/32	31/32	4-7/8	1-3/16	27/64	33/64	13,120#
7/16	ID-243-N	ID-243-V	IS-243	3/4	1-1/16	5-21/32	1-3/8	27/64	41/64	17,780#
1/2	ID-250-N	ID-250-V	IS-250	27/32	1-1/8	6-3/8	1-9/16	31/64	45/64	23,000#
9/16	ID-256-N	ID-256-V	IS-256	1-1/16	1-3/8	7-19/32	2	21/32	61/64	29,000#
5/8	ID-262-N	ID-262-V	IS-262	1-3/32	1-5/16	7-5/8	2	21/32	61/64	35,800#
3/4	ID-275-N	ID-275-V	IS-275	1-11/32	1-19/32	8-15/16	2-5/16	23/32	1-9/64	51,200#
7/8	ID-287-N	ID-287-V	IS-287	1-1/2	1-13/16	11-1/8	2-5/8	25/32	1-17/64	69,200#
1	ID-299-N	ID-299-V	IS-299	1-13/16	2-1/8	12-3/16	3-1/2	29/32	1-33/64	89,800#
1-1/8	ID-2112-N	ID-2112-V	IS-2112	2-1/4	2-5/8	14-5/8	3-3/4	1-3/32	1-21/32	130,000#
1-1/4	ID-2125-N	ID-2125-V	IS-2125	2-1/2	3	16-7/8	4	1-7/32	1-13/16	159,800#
1-3/8	ID-2137-N	ID-2137-V	IS-2137	3	3-1/4	21-3/8	4-1/4	1-15/32	2-1/32	167,000#
1-1/2	ID-2150-N	ID-2150-V	IS-2150	3	3-1/4	21-3/8	4-1/2	1-23/32	2-1/32	197,800#



FORGED SERIES: Towing Eye Fittings

Dimensions in inches

Rope Size	Self-Colored Steel	Galvanized Steel	A	B	C	D	E	F	EIPS Breaking Strength*
5/8	Y-2762-N	Y-2762-X	1-1/2	3-1/4	3-1/4	7/8	11-1/8	2-1/4	41,200#
3/4	Y-2775-N	Y-2775-X	1-1/2	3-1/4	3-1/4	7/8	11-1/8	2-1/4	58,800#
1-1/8	Y-27112-N	Y-27112-X	1-1/2	3-1/4	4	1-1/4	15-3/8	3-1/4	130,000#

