

SNATCH BLOCK WITH HOOK FITTING, SINGLE SHEAVE, 15-30t



420



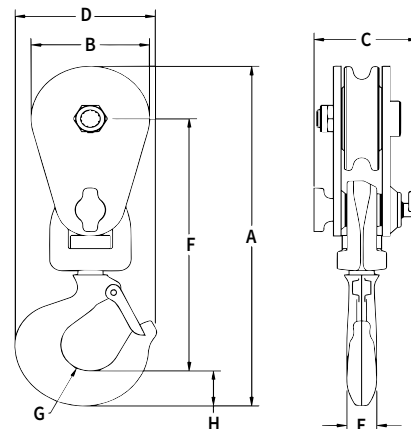
418



430



434



- Opening feature permits easy insertion of rope without reeving, or while the block is suspended.
- Furnished with a latch installed.
- Can be furnished with bronze bushings or roller bearings.
- Center pin equipped with pressure lube fitting.
- All sizes feature sheave grooves suited for a range of wireline diameters.
- Meets or exceeds all requirements of ASME B30.26. Importantly, these blocks meet other critical performance requirements including fatigue life and material traceability, not addressed by ASME B30.26.
- 434 snatch blocks feature a significant reduction in weight compared to snatch blocks made of non-alloy materials.
- Crosby's Engineered Solutions Group is ready to discuss your requirements and help select or develop the ideal block for your application.
- Visit thecrosbygroup.com/engineeredolutions for more information.



APPLICATION AND WARNING INFORMATION SECTION 17

Working Load Limit (t)	Wire Rope Diameter (in)	Sheave Diameter (in)	Bearing Code	Weight Each (lb)	Catalog No.	Stock No.	Dimensions (in)							
							A	B	C	D	E	F	G	H
15 metric tons														
15	3/4 - 7/8	8	BB	51	420	108275	23.50	8.12	5.09	8.34	1.76	16.51	1.50	2.93
15	3/4 - 7/8	8	RB	51	420	108276	23.50	8.12	5.09	8.34	1.76	16.51	1.50	2.93
15	3/4 - 7/8	10	BB	63	420	108371	25.25	10.12	5.09	8.34	1.76	17.26	1.50	2.93
15	3/4 - 7/8	10	RB	63	420	108372	25.25	10.12	5.09	8.34	1.76	17.26	1.50	2.93
15	3/4 - 7/8	16	BB	130	418	108608	32.25	16.12	5.09	8.34	1.76	21.26	1.50	2.93
15	3/4 - 7/8	16	RB	130	418	108626	32.25	16.12	5.09	8.34	1.76	21.26	1.50	2.93
15	7/8 - 1	18	BB	150	418	108644	33.50	18.12	5.09	8.34	1.76	21.51	1.50	2.93
15	7/8 - 1	18	RB	150	418	108662	33.50	18.12	5.09	8.34	1.76	21.51	1.50	2.93
20 metric tons														
20	1 - 1-1/8	8	BB	75	430	120023	25.87	8.12	6.00	9.39	2.00	18.43	1.50	3.38
20	1 - 1-1/8	8	RB	75	430	120041	25.87	8.12	6.00	9.39	2.00	18.43	1.50	3.38
20	1 - 1-1/8	10	BB	89	430	120096	27.94	10.12	6.00	9.39	2.00	19.50	1.50	3.38
20	1 - 1-1/8	10	RB	89	430	120112	27.94	10.12	6.00	9.39	2.00	19.50	1.50	3.38
20	1 - 1-1/8	12	BB	103	430	120176	30.00	12.25	6.00	9.39	2.00	20.50	1.50	3.38
20	1 - 1-1/8	12	RB	103	430	120194	30.00	12.25	6.00	9.39	2.00	20.50	1.50	3.38
20	1 - 1-1/8	14	BB	123	430	120256	32.34	14.00	6.00	9.39	2.00	21.96	1.50	3.38
20	1 - 1-1/8	14	RB	123	430	120274	32.34	14.00	6.00	9.39	2.00	21.96	1.50	3.38
25 metric tons														
25	1 - 1-1/4	8	BB	90	434	208896	26.56	8.25	6.13	9.36	2.00	19.06	1.50	3.38
25	1 - 1-1/4	10	BB	107	434	208910	28.63	10.25	6.13	9.36	2.00	20.13	1.50	3.38
25	1 - 1-1/4	18	BB	240	430	119486	41.41	18.25	7.12	11.76	2.50	27.97	1.94	4.32
25	1 - 1-1/4	18	RB	240	430	119487	41.41	18.25	7.12	11.76	2.50	27.97	1.94	4.32
30 metric tons														
30	1 - 1-1/4	12	BB	165	434	208931	36.32	12.25	7.00	11.76	2.50	25.88	1.94	4.32
30	1 - 1-1/4	14	BB	180	434	208932	38.57	14.25	7.00	11.76	2.50	27.13	1.94	4.32
30	1 - 1-1/4	20	BB	375	430	119507	52.15	20.25	8.31	15.24	3.00	36.12	2.25	5.91
30	1 - 1-1/4	20	RB	375	430	119516	52.15	20.25	8.31	15.24	3.00	36.12	2.25	5.91
30	1 - 1-1/4	24	BB	450	430	119525	55.75	24.25	8.31	15.24	3.00	37.75	2.25	5.91
30	1 - 1-1/4	24	RB	450	430	119534	55.75	24.25	8.31	15.24	3.00	37.75	2.25	5.91

4:1 Design Factor.