

McKissick® Overhaul Balls



UB-550E
Overhaul
Ball

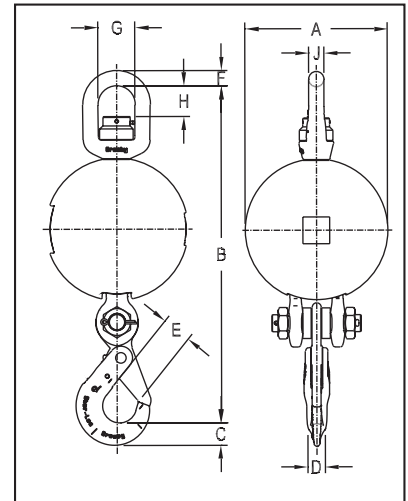
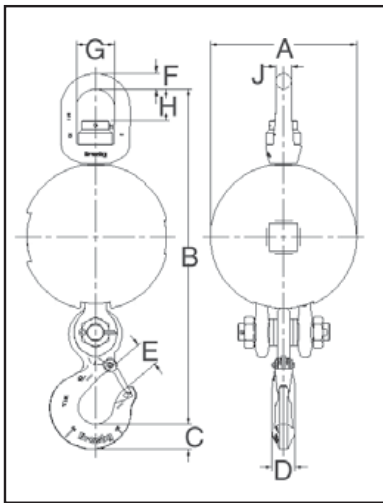
Top Swivel Design assures that the ball remains stationary if the wireline spins.

Available in a variety of configurations

- 4 & 7 Ton capacities
- 85, 150 & 200 lb. weights (ball only)
- Crosby S-320AN Eye Hook or S-1316 SHUR-LOC® Hooks.
- Utilize genuine forged Crosby hooks, bail and connector.
 - Quenched and Tempered
- Both styles of hooks incorporate patented **QUIC-CHECK®** markings forged into the product which address two **QUIC-CHECK®** features:
 - Deformation Indicators and Angle Indicators.
- Easy disassembly for periodic inspection and maintenance.
- Design factor of 4:1.
- All sizes are **RFID EQUIPPED**.



UB-550S
Overhaul
Ball



UB-550E Top Swivel Overhaul Balls with Crosby Eye Hook

UB-550E Stock No.	Model No.	Working Load Limit (Tons)*	Weight Each (lb)	Dimensions (in)								
				A	B	C	D	E	F	G	H	J
1036621	MB04BT085E	4	113	8.88	21.00	1.44	1.31	1.36	1.12	2.75	2.28	1.12
1036649	MB04BT150E	4	178	10.56	22.72	1.44	1.31	1.36	1.12	2.75	2.28	1.12
1036667	MB04BT200E	4	232	11.62	23.72	1.44	1.31	1.36	1.12	2.75	2.28	1.12
1036685	MB07BT085E	7	113	8.88	22.48	1.81	1.66	1.61	1.12	2.75	2.28	1.12
1036705	MB07BT150E	7	178	10.56	24.20	1.81	1.66	1.61	1.12	2.75	2.28	1.12
1036723	MB07BT200E	7	232	11.62	25.20	1.81	1.66	1.61	1.12	2.75	2.28	1.12

* Ultimate Load is 4 times the Working Load Limit.

UB-550S Top Swivel Overhaul Balls with SHUR-LOC® Eye Hook

UB-550S Stock No.	Model No.	Working Load Limit (Tons)*	Weight Each (lb)	Dimensions (in)								
				A	B	C	D	E	F	G	H	J
1036630	MB04BT085S	4	113	8.88	23.32	1.67	1.16	2.11	1.12	2.75	2.28	1.12
1036658	MB04BT150S	4	178	10.56	25.04	1.67	1.16	2.11	1.12	2.75	2.28	1.12
1036676	MB04BT200S	4	232	11.62	26.04	1.67	1.16	2.11	1.12	2.75	2.28	1.12
1036694	MB07BT085S	7	113	8.88	23.32	1.67	1.16	2.11	1.12	2.75	2.28	1.12
1036714	MB07BT150S	7	178	10.56	25.04	1.67	1.16	2.11	1.12	2.75	2.28	1.12
1036732	MB07BT200S	7	232	11.62	26.04	1.67	1.16	2.11	1.12	2.75	2.28	1.12

* Ultimate Load is 4 times the Working Load Limit.