

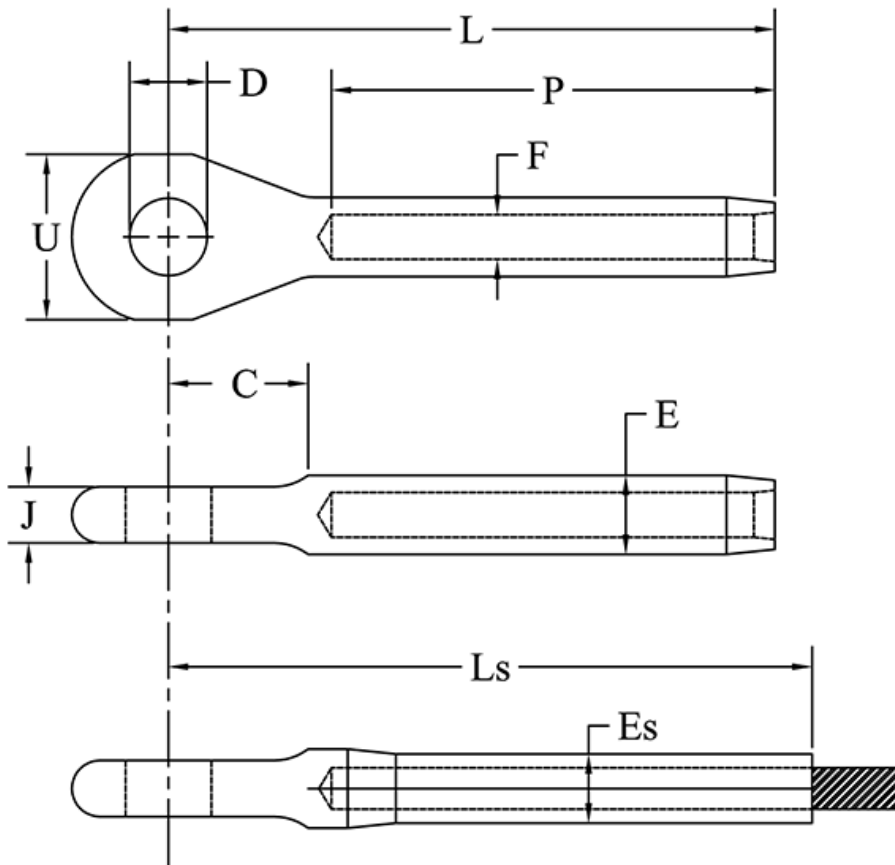


The EY1X Marine Eye End Fittings are designed and manufactured to meet the strict standards of the marine industry. Type 316 Stainless Steel.

MADE IN THE USA: **YES**

MS Part No	Cable Dia.	C Ref.	D +.010-.010	E	F	J ± 1/32	L	P +.032-.010	Max. U Ref.	After Swage Es +.000-.009	After Swage Ls Ref.	Lbs. Per Piece
EY1-2X*	1/16	.500	.264	.160	.078	.218	1.500	1.063	.594	.138	1.809	.015
EY1-3X*	3/32	.500	.264	.218	.109	.218	1.58	1.188	.594	.190	2.070	.028
EY1-4X*	1/8	.500	.264	.250	.141	.218	2.088	1.500	.594	.219	2.401	.033
EY1-5X*	5/32	.580	.327	.297	.172	.281	2.355	1.688	.750	.250	2.709	.055
EY1-6X*	3/16	.710	.389	.359	.203	.359	2.750	2.000	.875	.313	3.147	.090
EY1-7X*	7/32	.800	.452	.427	.234	.406	3.220	2.313	1.000	.375	3.787	.150
EY1-8X*	1/4	.900	.514	.494	.265	.468	3.625	2.500	1.125	.438	4.282	.250
EY1-9X*	9/32	.990	.514	.563	.297	.468	3.795	2.688	1.125	.500	4.514	.330
EY1-10X*	5/16	1.080	.640	.635	.328	.593	4.495	3.250	1.375	.563	5.274	.500
EY1-12X*	3/8	1.150	.640	.703	.390	.593	4.930	3.500	1.375	.625	5.659	.670
EY1-14X*	7/16	1.24	.765	.781	.468	.719	5.375	4.125	1.438	.688	6.150	1.00
EY1-16X*	1/2	1.290	.890	.844	.531	.844	6.25	4.750	1.875	.750	7.187	1.25

\*Denotes Stock Item





**MS21254C Eye End , Turnbuckle , Stainless Steel**  
New Specification 17-4PH Stainless Steel , Replacing Cad-Plated Carbon Steel

**Same as NAS648 / Replaces AN165**

The MS21254C Stainless Steel also available in 4130 HT-Cadium Plated.

MIL-DTL-8878: **YES**

MADE IN THE USA: **YES**

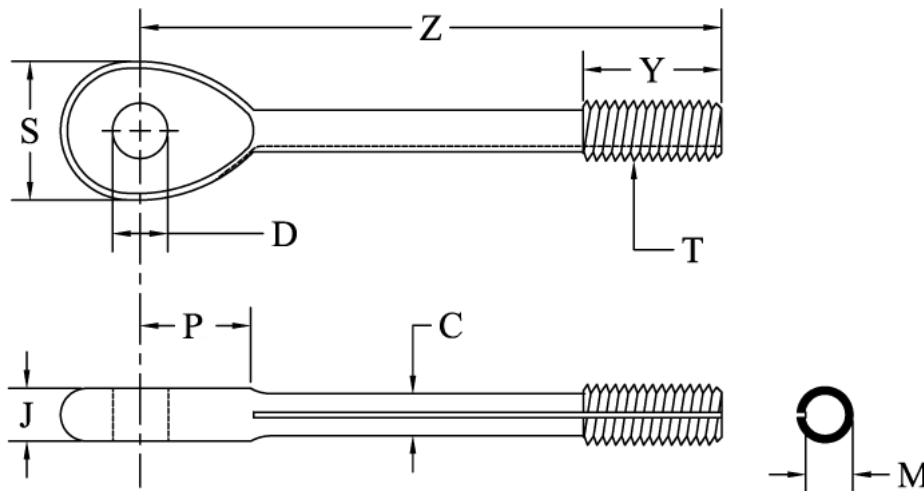
DFARS COMPLIANT: **YES**

Dash No. RH	Dash No. LH	Wire Rope Dia. Ref	Min Breaking Strength	Thread T UNF-3A	C +.006-.000	D +.002-.000 Dia.	J ±.005	M Max	M Min	S Max	Y ±.047	Z +.031-.015
2RS*2RL*	2LS*2LL*	1/16	800	No.6-40	.094	.190	.125	.1139	.1094	.375	.375	1.5002.375
3RS*3RL*	3LS*3LL*	3/32	1600	No.10-32	.133	.190	.188	.1638	.1568	.500	.500	1.6252.500
5RS*5RL*	5LS*5LL*	5/32	3200	1/4-28	.189	.250	.219	.2224	.2152	.625	.625	1.7502.625
6RS*6RL*	6LS*6LL*	3/16	4600	5/16-24	.243	.313	.281	.2830	.2754	.688	.75	1.8752.750
8RL*	8LL*	1/4	8000	3/8-24	.306	.375	.328	.3454	.3378	.875	.875	2.875
9RL*	9LL*	9/32	12500	7/16-20	.362	.438	.375	.4052	.3972	1.063	1	3.375
10RL*	10LL*	5/16	17500	1/2-20	.425	.500	.469	.4678	.4597	1.188	1	3.625

(1) Direction of Thread

\* Denotes Stock Item

Note: Use dash -5 part with 1/8" diameter wire rope.



**MS21255C Eye End , Turnbuckle , Clip Locking ,Stainless Steel**  
New Specification - 17-4PH Stainless Steel Replacing Cad-Plated Carbon Steel



**Same as NAS647 / Replaces AN170**

The MS21255C Stainless Steel also available in 4130 HT-CADMIUM PLATED. Adjustable cable eye end for clip locking turnbuckle barrel.

MIL-DTL-8878: **YES**

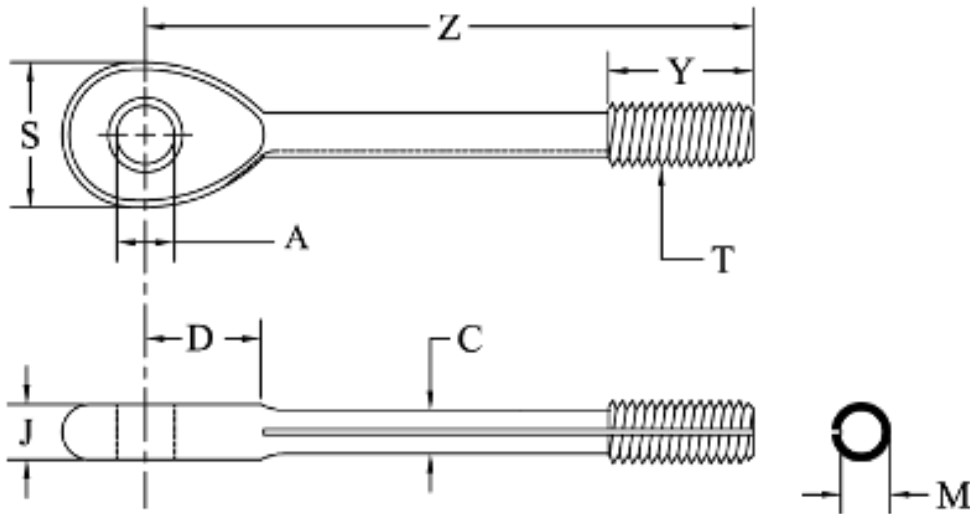
MADE IN THE USA: **YES**

DFARS COMPLIANT: **YES**

Dash No. RH (1)	Dash No. LH (1)	Cable Dia.	Min Breaking Strength. Lbs.	Thread T UNF-3A	A +.010-.000 Dia.	C +.006-.000	D ±.031	J ±.005	M Max.	M Min	S Dia.	Y ±.047	Z +.031-.015
2RS*2RL*	2LS*2LL*	1/16	800	No.6-40	.188	.094	.325	.125	.1139	.1094	.375	.375	1.5002.375
3RS*3RL*	3LS*3LL*	3/32	1600	No.10-32	.219	.133	.416	.188	.1638	.1568	.500	.500	1.6252.500
5RS*5RL*	5LS*5LL*	5/32	3200	1/4-28	.281	.189	.512	.219	.2224	.2152	.625	.625	1.7502.625
6RS*6RL*	6LS*6LL*	3/16	4600	5/16-24	.313	.243	.527	.281	.283	.2754	.688	.75	1.8752.750
8RL	8LL	1/4	8000	3/8-24	.375	.306	.678	.328	.3454	.3378	.875	.875	2.875
9RL	9LL	9/32	12500	7/16-20	.469	.362	.831	.375	.4052	.3972	1.063	1.00	3.375
10RL	10LL	5/16	17500	1/2-20	.563	.425	.900	.469	.4678	.4597	1.188	1.00	3.625

(1) Direction of Thread

\* Denotes Stock Item





The MS20668 Eye End Fittings are manufactured from stainless steel in accordance with the requirements of MIL-DTL-781 and are certified to those standards. Loos Cableware Division offers a full line of the MS20668 Eye End Fittings and is a QPL manufacturer of these parts.

MIL-DTL-781: **YES**  
 MADE IN THE USA: **YES**  
 DFARS COMPLIANT: **YES**

MS Part No.	Cable Dia.	A Dia.	As Dia.	C±.020	D Dia.	J	L+.020-.000	Ls. Ref.	N Dia.	P	U+.025-.010	Y	Z Min.	Lbs. per Piece
MS20668-2*	1/16	.16	.138 +.000-.005	.523	.19	.088	1.631	1.809	.078	1.042	.359	.072	.662	.009
MS20668-3*	3/32	.218	.190 +.000-.005	.707	.19	.103	2.043	2.16	.109	1.261	.438	.092	.856	.018
MS20668-4*	1/8	.25	.219 +.000-.005	.738	.19	.19	2.337	2.593	.141	1.511	.5	.103	.9	.035
MS20668-5*	5/32	.297	.250 +.000-.005	.831	.25	.197	2.684	3.029	.172	1.761	.64	.131	.997	.05
MS20668-6*	3/16	.359	.313 +.000-.005	.903	.313	.255	3.019	3.187	.203	2.011	.781	.155	1.082	.09
MS20668-7*	7/32	.427	.375 +.000-.007	1.007	.313	.291	3.382	3.678	.234	2.261	.813	.187	1.195	.135
MS20668-8*	1/4	.494	.438 +.000-.007	1.133	.375	.307	3.763	4.062	.265	2.511	.968	.221	1.326	.2
MS20668-9*	9/32	.563	.500 +.000-.008	1.257	.438	.322	4.153	4.512	.297	2.761	1.109	.251	1.465	.25
MS20668-10*	5/16	.635	.563 +.000-.008	1.373	.438	.343	4.546	4.969	.328	3.011	1.218	.281	1.609	.4
MS20668-12*	3/8	.703	.625 +.000-.008	1.688	.5	.375	5.562	5.968	.404	3.511	1.5	.32	2.124	.575
MS20668-14*	7/16	.781	.688 +.000-.008	1.968	.562	.375	6.398	6.867	.468	4.011	1.75	.35	2.46	.79
MS20668-16*	1/2	.844	.750 +.000-.009	2.115	.625	.468	7.323	7.886	.531	4.698	1.875	.406	2.698	1.05
MS20668-18	9/16	.984	.875 +.000-.009	2.625	.75	.562	8.185	8.778	.594	5.011	2.34	.45	3.247	2
MS20668-20	5/8	1.109	1.00 +.000-.010	3.062	.875	.657	9.167	9.854	.656	5.511	2.73	.515	3.729	2.25
MS20668-24	3/4	1.359	1.25 +.000-.012	3.093	.875	.657	10.328	10.9	.781	6.511	2.75	.6	3.89	2.5
MS20668-28	7/8	1.593	1.437 +.000-.012	3.515	1	.75	11.53	12.29	.921	7.166	3.125	.675	4.437	3.5
MS20668-32	1	1.812	1.625 +.000-.012	3.937	1.125	.844	13.156	14.062	1.046	8.229	3.51	.775	5	8.25

\* Denotes Stock Item

