



Wirelink plus

The Wirelink plus is the non-indicating version of Straightpoint's very popular Radiolink plus and Loadlink plus digital dynamometer tension load cells. This non-indicating Loadlink is designed for use with Straightpoint's Handheld plus digital display, desktop controller PC software (DCP10M) or other form of instrumentation.

Manufactured from aerospace grade aluminium, utilising an advanced internal design structure, this range of non-indicating load cells are extremely lightweight, easy to handle and are used worldwide in an array of industries for lifting, pulling, proof and structural load testing.

The extremely versatile platform can be used with digital displays, including the Straightpoint Handheld plus, PLCs, data acquisition systems (DAQ) etc. They are configured with a vast array of output formats to include mV/V, RS-422, RS-485, utilising the ASCII, MODBUS RTU and CAN-BUS protocols.

A standard analogue output option is available to include:

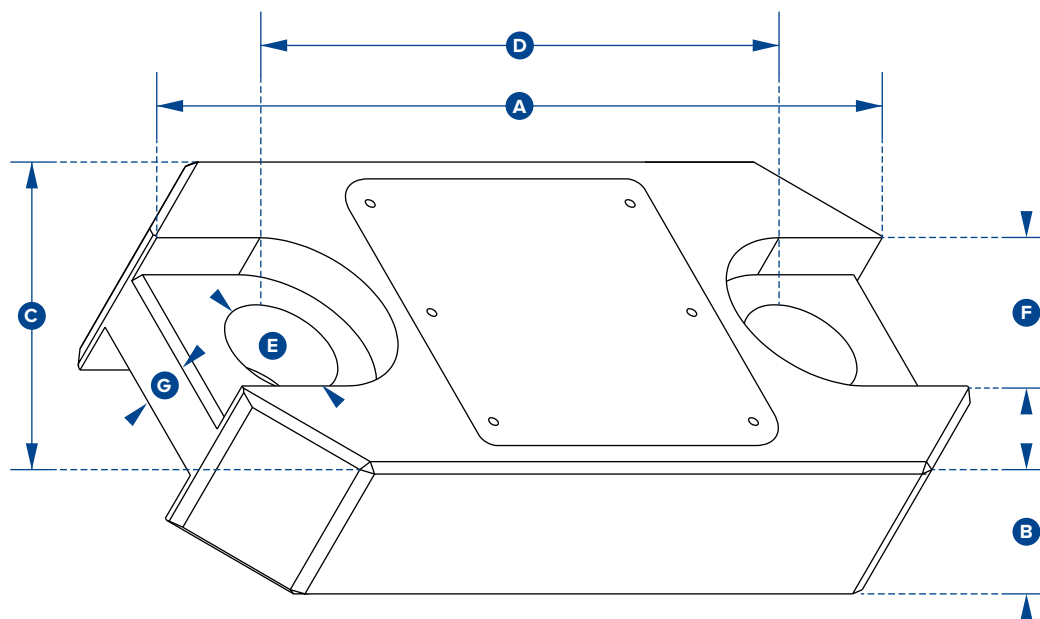
- 3 wire 0-10v
- 3 wire 0-5v
- 4 wire +/-10v
- 3 wire 4-20mA
- 2 wire 4-20mA

The Wirelink plus is supplied with a 10-metre cable as standard, however, usable cable length varies greatly with lengths available to 1,500 metres depending on output format.

Features and benefits:

- Constructed of lightweight aluminium
- Available in capacities ranging from 1 to 300 tonnes
- High accuracy
- Multiple output options to include mV/V, analogue out, ASCII, MODBUS RTU and CAN-BUS
- Available with IP68 environmental protection
- Options for subsea use available
- 2-year warranty
- DNV-GL Type Approval
- Complies with ASME B30.26





Part Numbers													
SP	WLP1T	WLP2T5	WLP6T5	WLP12T	WLP25T	WLP35T	WLP55T	WLP75T	WLP100T	WLP150T	WLP200T	WLP250T	WLP300T
Crosby	2789154	2789158	2789273	2789152	2789157	2789160	2789269	2789161	2789151	2789153	2789155	2789156	2789159
Capacity	1,000kg	2.5te	6.5te	12te	25te	35te	55te	75te	100te	150te	200te	250te	300te
	2200lb	5500lb	14300lb	26000lb	55000lb	77000lb	120000lb	165000lb	220000lb	330000lb	440000lb	550000lb	660000lb
Resolution	0.5kg	0.001te	0.001te	0.002te	0.005te	0.005te	0.01te	0.01te	0.05te	0.05te	0.1te	0.1te	0.1te
	1lb	2lb	2lb	5lb	10lb	10lb	20lb	20lb	100lb	100lb	200lb	200lb	200lb
Units	kg	te	te	te	te	te	te	te	te	te	te	te	te
	lb	lb	lb	lb	lb	lb	lb	lb	lb	lb	lb	lb	lb
Weight	1.5kg	1.5kg	2.4kg	3.7kg	5kg	8.6kg	13kg	16kg	34kg	46kg	82kg	82kg	118kg
	3.3lb	3.3lb	5.3lb	8.2lb	11lb	19lb	28.7lb	35.3lb	75lb	101.4lb	180.8lb	180.8lb	260lb
Safety Factor	12:1	7:1	7:1	7:1	5:1	5:1	5:1	5:1	5:1	4:1	5:1	4:1	5:1
Operating Temp	-10°C to +50°C or 14°F to 122°F												
Accuracy	±0.1% of full scale												
Protection	IP67 or NEMA6												
Dimension A	204	204	249	305	340	393	424	470	608	670	700	700	806
	8.03"	8.03"	9.80"	12.01"	13.39"	15.47"	16.69"	18.50"	23.94"	26.38"	27.56"	27.56"	31.73"
Dimension B	43	43	43	47	60	75	75	75	99	99	144	144	150
	1.69"	1.69"	1.69"	1.85"	2.36"	2.95"	2.95"	2.95"	3.90"	3.90"	5.67"	5.67"	5.91"
Dimension C	104	104	113	113	115	126	180	202	255	303	350	350	426
	4.09"	4.09"	4.45"	4.45"	4.53"	4.96"	7.09"	7.95"	10.04"	11.93"	13.78"	13.78"	16.77"
Dimension D	146	146	165	193	215	225	230	260	320	360	350	350	350
	5.75"	5.75"	6.50"	7.60"	8.46"	8.86"	9.06"	10.24"	12.60"	14.17"	13.78"	13.78"	13.78"
Dimension ØE	24.5	24.5	38	47.5	55	60	76	76	109	109	145	145	160
	0.96"	0.96"	1.50"	1.87"	2.17"	2.36"	2.99"	2.99"	4.29"	4.29"	5.71"	5.71"	6.30"
Dimension F	48	48	65	Not relevant in this capacity									
	1.89"	1.89"	2.60"										
Dimension G	19	19	32	Not relevant in this capacity									
	0.75"	0.75"	1.26"										
Crosby Shackle	G2130						G2140						
Loading Pin Ø	19	19	25	35	51	57	57	70	83	95	121	127	152
	3/4"	3/4"	1"	1 3/8"	2"	2 1/4"	2 1/4"	2 3/4"	3 1/4"	3 3/4"	4 3/4"	5"	6"

Options					
Part N° SP Crosby	ICA1 2789220	ICA2 2789221	ICA3 2789222	ICA4 2789223	ICA5 2789224
Description	3 wire 0-10v analogue output	3 wire 0-5v analogue output	4 wire ±10v analogue output	3 wire 4-20mA analogue output	2 wire 4-20mA analogue output